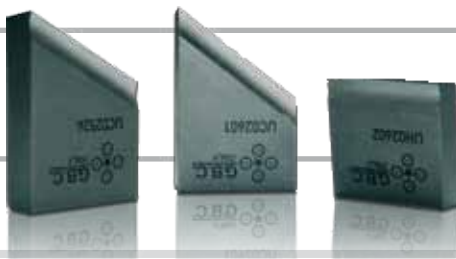
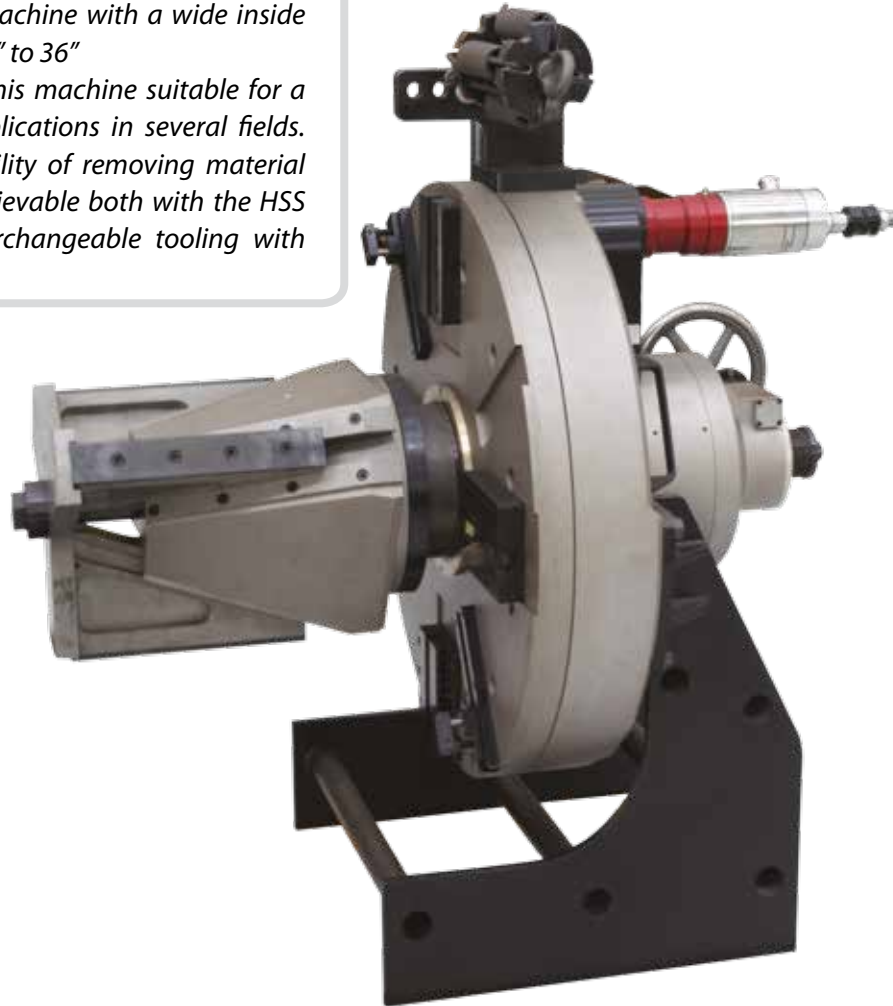


# Hypermaxi 20-40

Range 465 - 937 mm (20" - 40")

*New pipe bevelling machine with a wide inside locking range from 20" to 36"  
Its versatility makes this machine suitable for a wide selection of applications in several fields.  
Its strength is the ability of removing material in large quantity, achievable both with the HSS and insert type, interchangeable tooling with Supermaxi 7\_24.*



standard

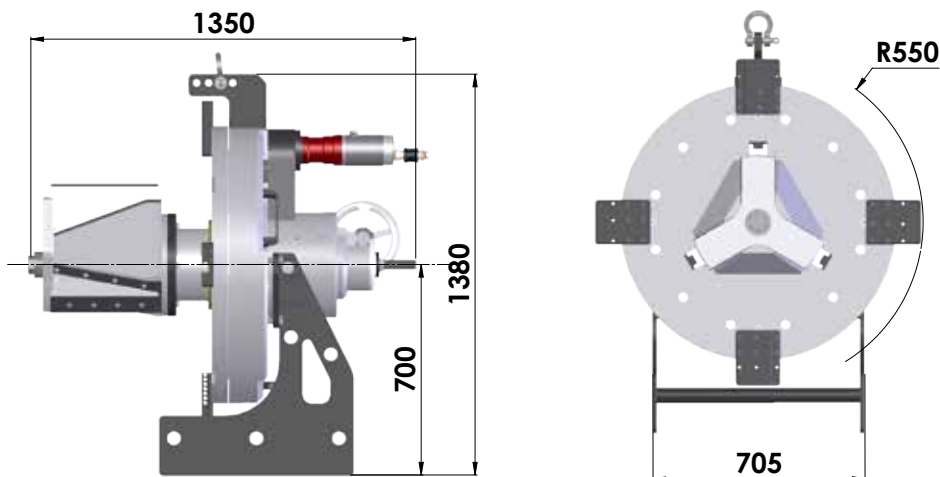
special

# Hypermaxi 20-40

Optional:

- Extension kit up to 40";
- Automatic feeding system (available only for the hydraulic version).

- DIMENSIONS



## TECHNICAL FEATURES

		PNEUMATIC	HYDRAULIC
ID Locking Range	mm (inches)	465-997 (18.30-39.25)	465-997 (18.30-39.25)
OD Locking Range	mm (inches)	508-1016 (20-40)	508-1016 (20-40)
Idle Speed	Rpm	6	14
Stroke	Mm (inches)	100 (3.93)	100 (3.93)
Pneumatic Motor Power	Hp (W)	4.21 (3100)	-
Max Chuck Torque	Nm	2492 (6bar) 4658 (8bar)	6200
Air Consumption	NI/min (cfm)	2800 (99)	-
Air Pressure	Bar (psi)	6 ÷ 8 (87÷116)	-
Air Hose Connection	Pollici (inches)	3/4" (3/4")	-
Hydraulic Motor Power	Hp (W)	-	12.92 (9500)
GBC Hydraulic Power Pack Pressure	Bar (psi)	-	140 (2030)
Oil Flow	L/min (cfm)	-	64 (14.1)
Max Acoustic Emission	Db	75	75
Machine Weight	Kg	870	870