

HandyBevel

Portable Hand Held Plate bevelling machine for straight and shaped plate

The GBC HANDYBEVEL is a compact, lightweight, portable machine for bevelling both straight and shaped plate edge profiles.

The GBC HANDYBEVEL is supplied with a milling head of your choice. 6 different angled heads are available.

Indexable inserts are available for working on a wide variety of materials.

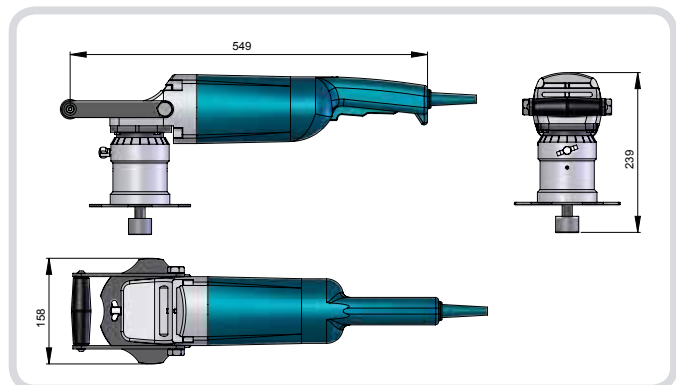
Maximum diagonal bevel length is 17.0mm.



Technical Features

Power supply	230V /110v 50-60 Hz
Motor	2100W
Motor speed	6500 rpm
Minimal dia of counter - sinking	40 mm
Maximal bevel width	@ 45° (b) 17 mm
Feed	0,5 – 10 m/min (Manual)
Bevelling angles	22.5, 30, 37.5, 45, 55 and 60 degrees
Plate thickness	minimum 2.0 mm
Dimensions	585 x 156 x 238 mm
Weight	8.8 kg

Also available are a milling head and inserts for radiusing sharp edges (R3, R4, R5).



22,5°

30°

37,5°

45°

55°

60°

