

Spark Separator SparkTrap

Art. No.: 196 200 560



Technical Data

Basic data	
Air flow rate (max.)	12500 m ³ /h
Pressure drop	max. 700 Pa
Depth	850 mm
Height	1350 - 2840 mm
Connection Ø	560 mm
Length	4590 mm
Weight	200 kg
Filling volume Dust collection container	30 l

Stanchion support

Art. No.	Description
998 103 492	Stand column set for SparkTrap DN 250
998 103 493	Stand column set for SparkTrap DN 355
998 103 494	Stand column set for SparkTrap DN 450
998 103 495	Stand column set for SparkTrap DN 560
998 103 541	Stand column set for SparkTrap DN 710

Wall-mounting kit

Art. No.	Description
998 103 485	Wall assembly set for SparkTrap DN 250
998 103 481	Wall assembly set for SparkTrap DN 355
998 103 486	Wall assembly set for SparkTrap DN 450
998 103 487	Wall assembly set for SparkTrap DN 560
998 103 540	Wall assembly set for SparkTrap DN 710

Applications

- Applications with an increased fire hazard
- Presence of sparks
- During welding, grinding or cutting processes
- Integrated into duct work before extraction and filter units

Benefits

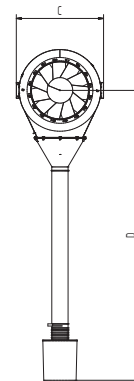
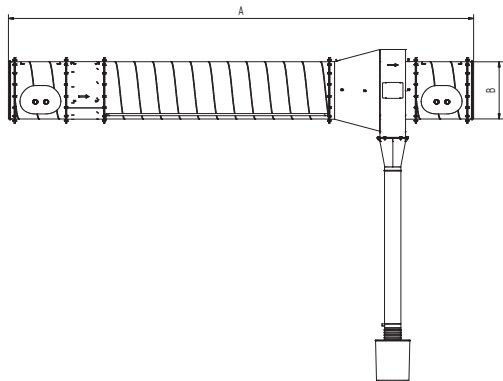
- Drastic reduction of running costs due to longer filter life
- Easy integration also into existing systems of any type or brand
- Savings resulting from less compressed air consumption and lower energy costs
- Minimization of fire hazards by pre-separating sparks and glowing particles

Properties

- Separation of sparks, glowing particles and cigarette butts
- Swirl nozzle with annular gap spark trap
- Can be combined with a spark extinguishing system
- Dust collection container and gate valve in the downpipe

Accessories

- Stanchion support
- Wall-mounting kit



Technical Data

Dimensions

A	4590 mm
B	560 mm
C	850 mm
D	1350 - 2840 mm

The shown transition pieces are optional

Pressure-volume graph

- Pressure loss
- ▨ Recommended Use

