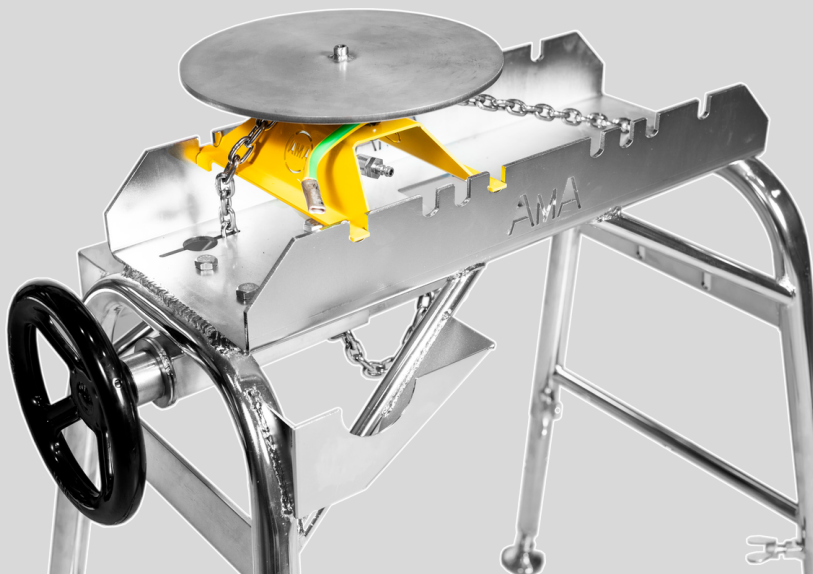


Gas welding table 200 (4030)

Gas welding table 400 (4040)



GAS WELDING TABLE

PRODUCT CODE 4030 AND 4040

THE HAND-ROTATED GAS WELDING TABLE FACILITATES AND SPEEDS UP THE WELDING OF SHORT PIPE PARTS.

- Gas supply from the center of the tabletop
- Round tabletop of stainless steel, rotates on ball bearings
- Compatible with AMA pipe stand A. The gas welding table can be attached firmly in place using the chain of pipe stand A
- Does not wobble when used on the table (3 legs)
- Grounding directly to the table top with cables (not through bearings)
- The gas connector is a rotating connector

Gas welding table 200 (4030) :

- For pipes up to DN200 (8") in size
- Weight 4 kg

Gas welding table 400 (4040) :

- For pipes up to DN400 (16") in size
- Weight 9 kg

Seller:

