



LIGHT & ENERGY

TF II9 Y



CHARACTERISTICS

- Zinc plated telescopic mast
- Safety valve for lowering the tower in case of hydraulic system failure
- Engine protection EP6
- Bunded base
- Spark arrestor
- Super silenced
- Single point lifting eye and forklift pockets
- Switch for external power supply
- Meets EC directives for noise and safety



TRANSPORT



	BASE ASSEMBLY WITH STABILISERS	FAST TOW HIGHWAY TRAILER (HOMOLOGATED)	SITE TOW TRAILER
TRUCK 13.60 m	11 towers	5 towers	11 towers
CONTAINER 12 m	10 towers	4 towers	10 towers
CONTAINER 5 m	5 towers	2 towers	5 towers

VERSIONS ON REQUEST

- Base Assembly with Stabilisers
- Fast Tow Highway Trailer (Homologated)
- Site Tow Trailer

AVAILABLE LAMPS

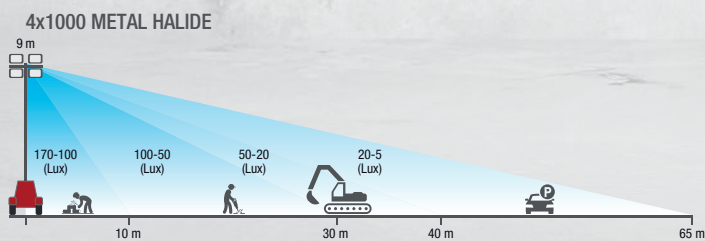
- **TFII9 Y J-4x1000**: 4 METAL HALIDE
- **TFII9 Y L-4x240**: 4 LED
- **TFII9 Y L-4x350**: 4 LED

OPTIONS ON REQUEST

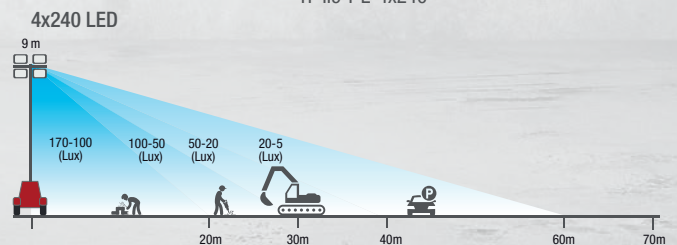
- SCHUKO Sockets 16A/ 230V

GRAPHICS LIGHTING

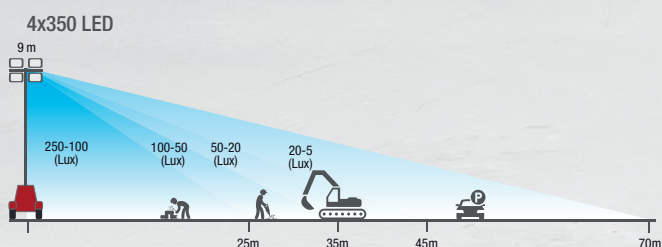
TF II9 Y J-4x1000



TF II9 Y L-4x240



TF II9 Y L-4x350





TECHNICAL DATA

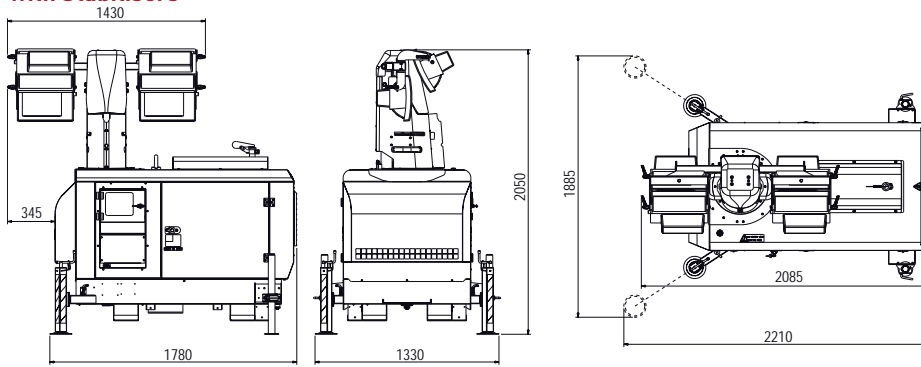
LIGHTS AND MAST						
LAMP TYPE:	4 x 1000 W – METAL HALIDE ILLUMINATED AREA 4200 mq - 25 Lux average' - 340000 TOTAL LUMEN	4 x 240 W – LED ILLUMINATED AREA 4800 mq 21 Lux average' - 153476 TOTAL LUMEN	4 x 350 W – LED ILLUMINATED AREA 4800 mq 30 Lux average' - 223820 TOTAL LUMEN	4 x 1000 W – METAL HALIDE ILLUMINATED AREA 4200 mq - 25 Lux average' - 340000 TOTAL LUMEN	4 x 240 W – LED ILLUMINATED AREA 4800 mq 21 Lux average' - 153476 TOTAL LUMEN	4 x 350 W – LED ILLUMINATED AREA 4800 mq 30 Lux average' - 223820 TOTAL LUMEN
MAST ROTATION:	340° - MANUAL					
MAST:	TELESCOPIC - HYDRAULIC					
GENERAL CHARACTERISTICS						
WIND LOAD STABILITY:	UP TO 80 km/h					
TANK CAPACITY:	110 l					
RUNNING TIME:	75 h (LIGHTS LOAD ONLY)	230 h (LIGHTS LOAD ONLY)	158 h (LIGHTS LOAD ONLY)	75 h (LIGHTS LOAD ONLY)	230 h (LIGHTS LOAD ONLY)	158 h (LIGHTS LOAD ONLY)
IP PROTECTION:	IP 44					
ACOUSTIC POWER:	LwA = 90 dBA LpA = 65 dBA @ 7 m					
STABILIZERS:	4 (2 ADJUSTABLE)					
WEIGHT (DRY)						
BASE ASSEMBLY WITH STABILISERS	910 kg	885 kg	895 kg	910 kg	885 kg	895 kg
SITE TOW TRAILER	1000 kg	1000 kg	1010 kg	1000 kg	1000 kg	1010 kg
FAST TOW HIGHWAY TRAILER (HOMOLOGATED)	1095 kg	1070 kg	1080 kg	1095 kg	1070 kg	1080 kg
TYRES						
SITE TOW TRAILER	2 x 185 / 65 R 14					
FAST TOW HIGHWAY TRAILER (HOMOLOGATED)	2 x 195 / 50 R 13					
ENGINE - WATER COOLING						
MODEL:	YANMAR 3TNV80 (Stage V)			KOHLER KDW 1003 (STAGE V)		
NET POWER (ST-BY / PRP):	9 kW / 8.2 kW @ 1500 rpm			8.5 kW / 7.7 kW @ 1500 rpm		
CYLINDERS / DISPLACEMENT:	3 / 1267 cm ³			3 / 1028 cm ³		
FUEL CONSUMPTION:	1.5 l / h (LIGHTS LOAD ONLY); 2.4 l / h (PRP)	0.48 l / h (LIGHTS LOAD ONLY); 2.4 l / h (PRP)	0.6 l / h (LIGHTS LOAD ONLY); 2.4 l / h (PRP)	1.5 l / h (LIGHTS LOAD ONLY); 2.4 l / h (PRP)	0.48 l / h (LIGHTS LOAD ONLY); 2.4 l / h (PRP)	0.7 l / h (LIGHTS LOAD ONLY); 2.4 l / h (PRP)
BATTERY:	12V - 45 Ah					
GENERATOR						
ALTERNATOR:	LINZ E1C13SC/4 - 8 kVA, SINGLE PHASE, SYNCHRONOUS, BRUSHLESS, 4 POLES PF = 0.9 ISOLATION CLASS = H					
OUTPUT POWER:	3.5 kVA / 230V / 15.2A 50 Hz 1x16A / 230V 2P+T CEE	6.5 kVA / 230V / 28.3A 50 Hz 1x32A / 230V 2P+T CEE 1x16A / 230V 2P+T CEE	6.1 kVA / 230V / 26.5A 50 Hz 1x32A / 230V 2P+T CEE 1x16A / 230V 2P+T CEE	3.5 kVA / 230V / 15.2A 50 Hz 1x16A / 230V 2P+T CEE	6.5 kVA / 230V / 28.3A 50 Hz 1x32A / 230V 2P+T CEE 1x16A / 230V 2P+T CEE	6.1 kVA / 230V / 26.5A 50 Hz 1x32A / 230V 2P+T CEE 1x16A / 230V 2P+T CEE
CONTROL PANEL						
EP6 CONTROLLER FUNCTIONS:	High temperature engine shut down; Low oil pressure shut down; Overspeed shut down; Battery charge failure shut down; Delayed (5 min.) low fuel shut down; Overvoltage shut down; Battery over / undervoltage alarm.					
• STARTER KEY • AUTOSTART • PROTECTIONS AND ALARMS:						
• MEASUREMENTS:	Hourmeter; r.p.m. meter; battery charge alternator voltage; Battery voltage; generator voltage; generator current; generator frequency.					
FUEL LEVEL GAUGE EMERGENCY STOP BUTTON SIREN GENERAL PROTECTION CIRCUIT BREAKER OUTPUT SOCKET PROTECTION CIRCUIT BREAKER INDIVIDUAL CIRCUIT BREAKER SWITCHES FOR THE LAMPS MAST UP / DOWN PUSH BUTTONS 1 SOCKET 230V / 16A 2P+T CEE (for version J-4x1000) 1 SOCKET 230V / 32A 2P+T CEE + 1 SOCKET 230V / 16A 2P+T CEE (for version LED version)						



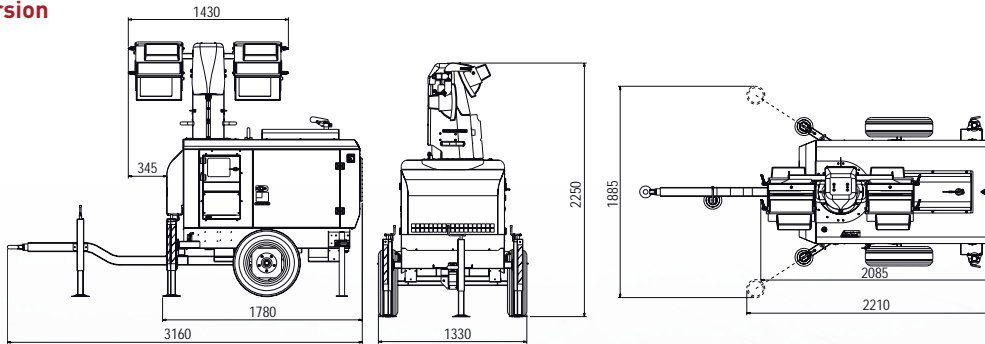
DIMENSIONS

DRAWING DIMENSIONS IN TRANSPORT CONDITIONS

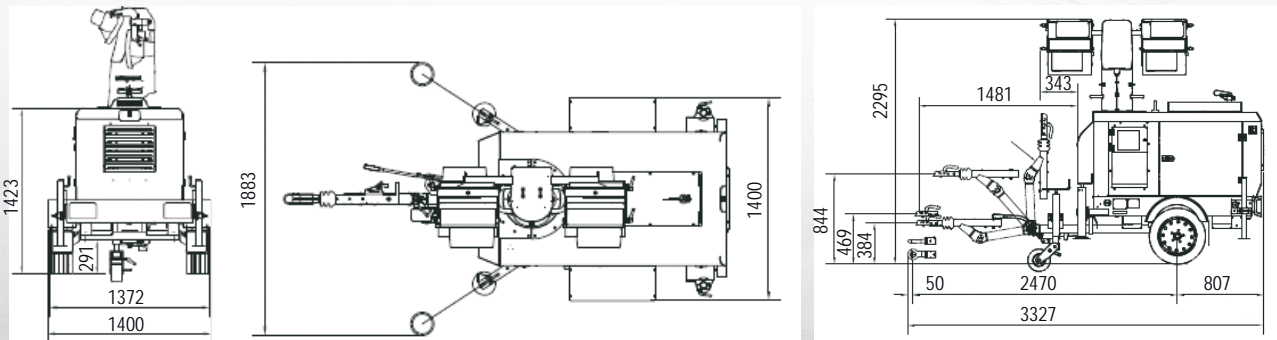
Version Base Assembly with Stabilisers



Site Tow Trailer version



Fast Tow Highway Trailer (Homologated) Version



GENERAL INFORMATION

COMPLIANCE GENERATING SETS WITH EC DIRECTIVES AND STANDARDS

- 2006/42 / EC (Machines Directive)
- 2014/35 / EU (Low Voltage Directive)
- 2014/30 / EU (EMC Directive)
- 2000/14 / EC (Directive Acoustic Emission for machines for use outdoors)
- ISO 8528 (Reciprocating internal combustion engine driven alternating current generating sets)



ISO 9001:2015 - Cert. 0192

WARRANTY

All devices are covered by the manufacturer's warranty.

The company reserves the right to change this specification without notice. For further information please contact the sales department.

© MOSA - Viale Europa, 59 - 20090 Cusago (Milano) - Italy - phone +39-0290352.1 - fax + 39-0290390466 E-mail: info@mosa.it Web site: www.mosa.it

