



SIFVAC



Operator's and maintenance manual

Read this manual carefully before using the vacuum cleaner

This manual provides all the information needed to use and service your vacuum cleaner. Good operation and durability depend on proper maintenance and careful use.

Before leaving the factory, this particular model has undergone stringent tests to ensure utmost reliability. Always check however to make sure the vacuum cleaner has not been damaged during transport in such a way as to affect operation and safety.

This manual should be considered an integral part of the vacuum cleaner and must be kept together with the unit until this is scrapped. In case of loss of or damage to the manual, ask **Weldability** for a new copy.

The technical details contained in this manual are the property of **SIF** and should be deemed of a confidential nature.

Even partial reproduction of the graphic project, the text and the illustrations is legally forbidden.

Some details shown in the illustrations in this manual may be different from those of your vacuum cleaner. Some component parts may have been removed for greater clarity.

For easier reference, this manual is split into sections, identifiable by specific graphic symbols.

The subjects dealt with in this manual are those expressly required by "**Machine Directive 2006/42/CE**" and the technical details shown are those provided by the manufacturer at the time of compilation.

This manual must be kept in a place accessible to all the personnel charged with operating and servicing the vacuum cleaner.

In case of any doubts, always immediately phone the **After-Sales Service. 01462 482200**

The manual must be kept with the vacuum cleaner in case of resale!

Information section

| | | |
|------|--|---|
| 1.1 | Identification of main parts | 1 |
| 1.2 | Accessories provided | 2 |
| 1.3 | Identification details of manufacturer | 3 |
| 1.4 | Marking plate | |
| 1.5 | Intended uses | 4 |
| 1.6 | Allowed environmental conditions | |
| 1.7 | Noise level | |
| 1.8 | Storage | |
| 1.9 | Scrapping | |
| 1.10 | Technical details | 5 |
| 1.11 | Warranty | 7 |

Safety section

| | | |
|-----|---------------------------|----|
| 2.1 | Safety details | 8 |
| 2.2 | Safety warnings | 9 |
| 2.3 | Safety plates and symbols | 12 |
| 2.4 | Outstanding risks | 13 |
| 2.5 | Applied directives | |

Installation section

| | | |
|-----|--------------|----|
| 3.1 | Handling | 14 |
| 3.2 | Installation | 15 |

Operation section

| | | |
|-----|-------------------------------|----|
| 4.1 | Description of controls | 17 |
| 4.2 | Work cycle | 18 |
| 4.3 | Emptying the container | 20 |
| 4.4 | Filter cleaning system DUSTOP | 21 |

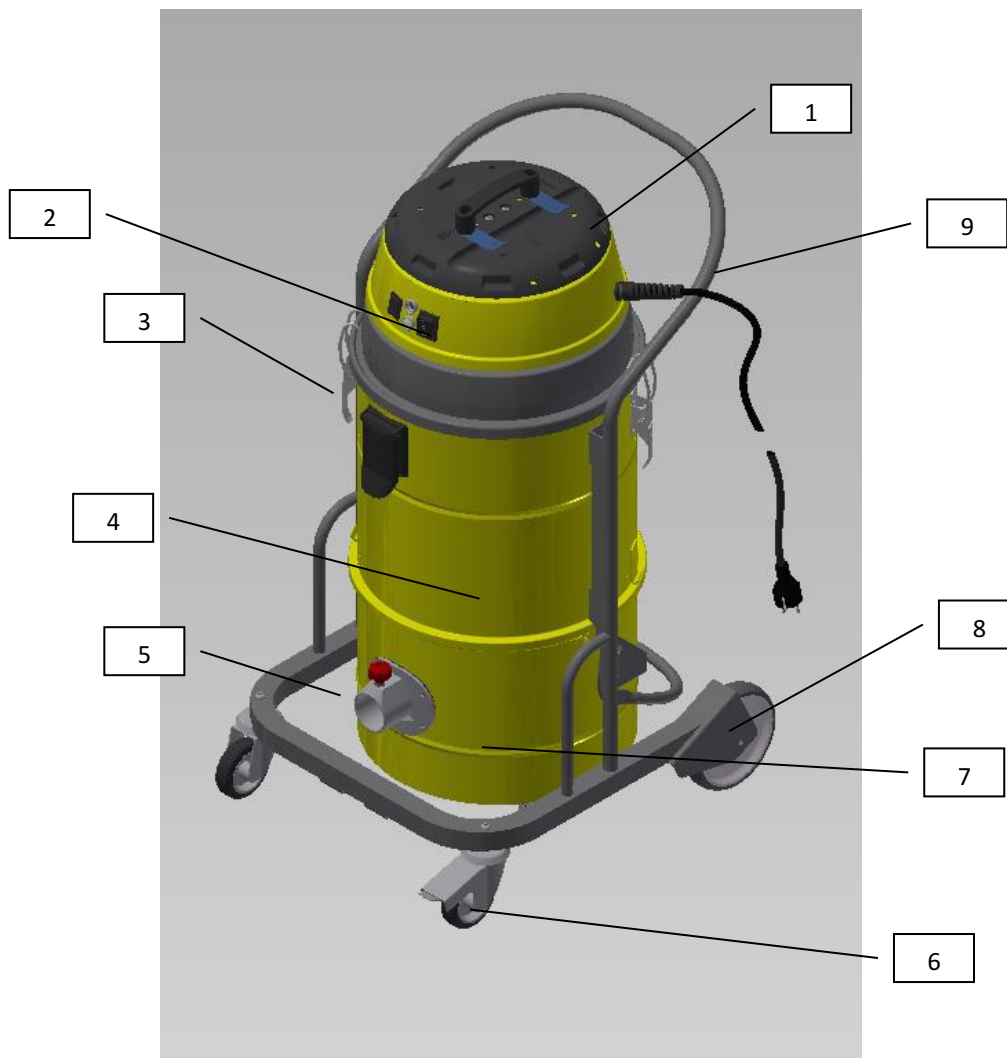
Maintenance section

| | | |
|-----|-------------------------|----|
| 5.1 | Informative notes | 23 |
| 5.2 | General safety warnings | |
| 5.3 | Maintenance operations | 24 |
| 5.4 | Replacing the filters | 25 |
| 5.5 | Troubleshooting | 27 |

Spare parts section

| | | |
|-----|-------------------------|----|
| 6.1 | Recommended spare parts | 28 |
|-----|-------------------------|----|

1.1 Identification of main parts



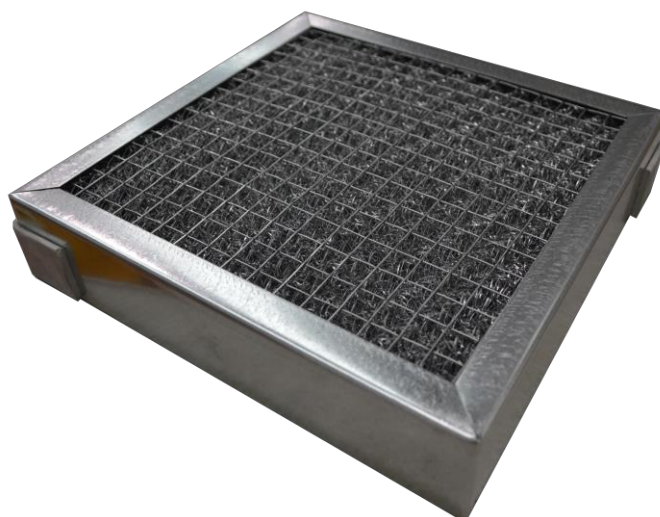
- 1) Motor head
- 2) Switch
- 3) Release fastening
- 4) Suction point
- 5) Filter chamber
- 6) Castors
- 7) Container
- 8) Fixed wheels
- 9) Push handle

1.2 *Accessories provided*



EXTSVAC03 –SIFVAC CARTRIDGE FILTER CAT M

(SPARE PART)



EXTSVAC05 SIFVAC WASHABLE SPARK FILTER

(SPARE PART)



1.3 Identification details of manufacturer

Weldability - SIF
Peters House, The Orbital Centre,
Icknield Way,
Letchworth Garden City
SG6 1ET

1.4 Marking plate

In compliance with the **Machine Directive 2006/42/CE** on vacuum cleaners, the machine is fitted with **CE** plates.

When contacting the manufacturer or dealer, always quote the details shown on the vacuum cleaner plate.

| | | | | |
|--|----------------------|--|----------------------|--|
|  | | Weldability Sif Peters House, The Orbital Centre, Icknield Way, Letchworth Garden City, Hertfordshire, <u>SG6 1ET</u> | |  |
| MOD. | <input type="text"/> | S/N | <input type="text"/> | |
| DESC. | <input type="text"/> | YEAR | <input type="text"/> | |
| 50 Hz | <input type="text"/> | | FILTER | |
| 60 Hz | <input type="text"/> | | <input type="text"/> | |

www.weldability-sif.com

1.5 *Intended uses*

These specific vacuum cleaner models have been designed, built and protected for vacuuming dusts and solid materials only, using special filters.

Warning!

Always use specific filters for the type of dust or materials to be vacuumed.

Any other use is considered **IMPROPER**.

The vacuum cleaner is in any case intended for professional industrial use.

1.6 *Allowed environmental conditions*

To ensure the correct operation of the vacuum cleaner, this must be positioned protected against atmospheric agents (rain, hail, snow, fog, dusts in suspension, etc.) with an environmental running temperature between 5°C and 45°C and relative humidity not above 70%.

The work environment must be clean, well-enough lit and devoid of explosive atmosphere.

1.7 *Noise level*

Noise level readings were taken in accordance with the provisions of **Machine Directive 2006/42/CE** standards.

Sound tests performed on this specific vacuum cleaner model have been taken from a distance of 1 meter and from a height of 1,60 meters, showing an acoustic pressure no higher than:

75 dB (A)

The vibrations transmitted by the machine are lower than 2,5 m²/s.

Attention!

Pursuant to articles L.D. 81/08, workers exposed to sound pressure levels above 85 dB (A) must be protected by special individual protection devices.

It is therefore necessary, if such working conditions exist, to provide workers with such approved individual protection devices and to inform them of the risks relating to noise exposure.

1.8 *Storage*

Remove the filter and clean it, empty the container and store the vacuum cleaner in a place protected against atmospheric agents with a temperature between 0°C and 40°C. Cover with a nylon sheet to prevent accumulation of dust.

1.9 *Scrapping*

In case of scrapping, all the component parts of the vacuum cleaner will have to be disposed of through adequate disposal channels in accordance with applicable legislation.

Before scrapping, all plastic and rubber parts will have to be separated from the electrical material. Parts made of plastic, aluminium and steel only may be recycled if collected by special centres.

1.10 Technical details

| | | EXTSVAC110S | EXTSVAC110T | EXTSVAC230S | EXTSVAC230T |
|---------------------------|--------------------------|--------------------|--------------------|--------------------|--------------------|
| Power | <i>kW</i> | 1 | 1,5 (2 x 750W) | 1,15 | 2,3 (2x1,15) |
| Voltage | <i>Volts</i> | 110 | 110 | 230 | 230 |
| Max. vacuums rate | <i>mm H₂O</i> | 2.250 | 2.050 | 2.500 | 2.500 |
| Max. air flow rate | <i>m³/h</i> | 175 | 300 | 180 | 360 |
| Noise level | <i>dB (A)</i> | 75 | 75 | 72 | 72 |
| Filter type | | Cartridge M | Cartridge M | Cartridge M | Cartridge M |
| Filter surface | <i>cm²</i> | 5.600 | 5.600 | 5.600 | 5.600 |
| Capacity | <i>lt</i> | 22 | 22 | 22 | 22 |
| Suction inlet | <i>∅</i> | 50 | 50 | 50 | 50 |
| Dimensions | <i>cm.</i> | 50 x 63 x 90 | 50 x 63 x 90 | 50 x 63 x 90 | 50 x 63 x 90 |

| | | EXTSVAC110C | EXTSVAC230C |
|---------------------------|--------------------------|--------------------|--------------------|
| Power | <i>kW</i> | 1,8 | 1,8 |
| Voltage | <i>Volts</i> | 110 | 230 |
| Max. vacuums rate | <i>mm H₂O</i> | 2.300 | 2.300 |
| Max. air flow rate | <i>m³/h</i> | 250 | 250 |
| Noise level | <i>dB (A)</i> | 72 | 72 |
| Filter type | | Cartridge M | Cartridge M |
| Filter surface | <i>cm²</i> | 5.600 | 5.600 |
| Capacity | <i>lt</i> | 22 | 22 |
| Suction inlet | <i>∅</i> | 50 | 50 |
| Dimensions | <i>cm.</i> | 50 x 63 x 90 | 50 x 63 x 90 |

1.11 Warranty

SIF guarantees this vacuum cleaner model for a period of 24 months from the date of purchase indicated on the tax document at the time of delivery of the vacuum cleaner by the seller.

The warranty shall be invalidated in the event of the vacuum cleaner having been repaired by unauthorised third parties or of equipment or accessories being used that have not been supplied by **SIF** or which have not been recommended or approved by **SIF** or whose serial number has been removed or altered during the warranty period.

SIF undertakes to repair or replace, free of charge, those parts which, during the warranty period show manufacturing faults. Repairs shall be made in the **SIF** facilities only or in a **Technical Assistance Centre** indicated by us and machines shall be sent to us carriage free (transport costs to be paid by the user, unless otherwise agreed).

The warranty does not cover any cleaning of working parts.

Faults not directly attributable to materials or manufacture shall be examined only in our facility or in a **Technical Assistance Centre** indicated by us. If claims appear unjustified, all the costs relating to repair and/or replacement of parts shall be charged to the buyer.

The purchase tax document shall be shown to the technical personnel making the repairs and must accompany the vacuum cleaner dispatched for repair.

The warranty does not cover: accidental damage, caused by transport or carelessness or inadequate treatment, or improper use not in compliance with the instructions in the instruction manual, or in any case by occurrences not dependent on normal operation or use of the vacuum cleaner. **SIF** declines all responsibility for any damage to persons or things caused by bad or improper use of the vacuum cleaner.

The manufacturer declines all liability in the following cases:

Failure to send the warranty Certificate

Failure to follow the instructions

Use of non-original spare parts

Failure to service the machine properly

2.1 Safety details

The person in charge of safety shall be responsible for informing workers about the risks associated with vacuum cleaner operation.

The obligation also exists of training workers so they are able to protect themselves and others.

Failure to observe basic safety regulations and Warnings could cause accidents during vacuum cleaner operation, maintenance and repair. Accidents can often be avoided by recognizing potentially dangerous situations before these occur. Operators should be aware of potential hazards and be trained and skilled enough. They should also have the tools necessary to perform these duties properly.

SIF shall under no circumstances be deemed liable for accidents or damage caused by use of the vacuum cleaner by personnel not properly trained or who use it in an improper manner, as well as by even partial failure to comply with the safety regulations and intervention procedures indicated in this manual.

The safety Warnings and warning notices are indicated in this manual and on the product.

Unless these hazard messages are heeded, the operator could become involved in accidents with serious consequences for him/herself and for other people.

The safety messages are highlighted by the following symbols:

Attention!

Unless these messages are heeded, operator injuries could occur.

Warning!

Unless these messages are heeded, vacuum cleaner damage could occur.

SIF cannot foresee all possible circumstances capable of representing a potential hazard. The warnings in this manual and on the products should not therefore be deemed exhaustive. In the event of tools, procedures, work or machining methods being used that are not explicitly recommended by **SIF**, make sure no hazards exist for operators and others.

Only ever use original SIF spare parts.

SIF declines all liability in the event of non-original spare parts being used.

2.2 Safety warnings

Attention!

The following indications are, by themselves, not enough to fully protect against all the hazards that could arise during vacuum cleaner operation. These will have to be integrated with common sense and the experience of the operator, both of which are crucial factors for preventing accidents. Each section of this manual lists further specific safety warnings for the various operations.

Maintenance jobs must always be performed with the power plug detached from the power point.

The employer must inform and train the user according to the provisions of applicable laws.

Before using the machine, prepare and train yourself by reading this manual carefully. Use of the machine by untrained and unauthorised persons is forbidden.

Using the machine to vacuum toxic substances is forbidden unless this has been equipped with special filters required for the specific type of dusts. Such filters must be explicitly requested by you.

If the machine is used to vacuum toxic-harmful substances, the container must be emptied and the filters cleaned using adequate individual protection devices, selected according to the type of substances to be vacuumed.

Do not vacuum flammable materials or substances or which could cause explosions (fuels, solvents, etc.). To vacuum such materials, the machine must be built with Anti-explosion Motor and Electric System and this must be requested by you explicitly.

Do not vacuum corrosive substances unless the machine is equipped with containers suitable for this purpose (***Stainless-steel AISI 304***).

Use of the machine without the supplied filters is not recommended.

If the filters are correctly fitted, the machine will not eject any objects.

Never rest miscellaneous materials on the horizontal protection guard.

The machine casing containing moving parts must not be removed by the user.

When using the machine, mind other people, especially children.

Use the machine cautiously on slopes and ramps.

Do not change direction on gradients.

Make sure the parked machine remains stable by operating the braked wheel.

During cleaning operations, maintenance jobs or when changing parts, the starter switch must be off and the machine must be disconnected from the power mains by removing the cable from the socket.

Only skilled persons should carry out repairs.

During use, mind the power supply cables and avoid crushing or pulling these.

Periodically check the mains power cable to ensure this is not damaged.

In the event of the cable being damaged, the machine must not be used.

In the event of the cable, plugs or couplings being replaced, make sure these are protected against water spray and check mechanical strength.

Never pull the machine by means of the power cable and the vacuum pipe.

Motor brushes and burnt-out fuses must be replaced by **SIF** or authorised dealers. Always use original spare parts.

The user is responsible for disposing of vacuumed substances in accordance with applicable laws.

After 10 years of use, we recommend sending the machine for a complete overhaul to **SIF**

The machine is supplied with: instruction manual, Exploded Spare Parts drawing, Test Sheet, Warranty Slip, Approval Certificate.

In the event of Customers fitting a tool to the machine not supplied by **SIF**, make sure the safety conditions required by **Machine Directive 2006/42/CE** are complied with and in any event, **SIF** is unable to accept liability for any problems arising from use of such tool.

The vacuum cleaner must not be operated in a corrosive or explosive environment.

Always make sure the vacuum cleaner is free of all foreign materials such as debris, oil, equipment and other objects that could affect operation and cause injury to persons.

Avoid using flammable or toxic solvents such as petrol, benzene, ether and alcohol for cleaning.

Avoid prolonged contact with solvents and inhaling their vapours. Avoid use close to open flames or sources of heat.

Never use the vacuum cleaner without the filter.

Do not vacuum lit cigarette ends. The filter could be damaged.

Do not vacuum petrol or flammable liquids in general.

Make sure all the guards and protection devices are in place and that all the safety devices are in place and working properly.

Do not wear loose or hanging clothing such as ties, scarves or torn garments that could become trapped and be sucked up by the cleaner.

Do not open the vacuum container with the machine running.

The manual should always be kept handy for reference so the operating cycle can be checked every time there are doubts.

In the event of this manual being lost or damaged, ask **SIF** for a new copy.

Structural damage and improper alterations or repairs could change the protection capacity of the vacuum cleaner and therefore cancel this certification.

Any alterations to the appliance must only be made by **SIF** engineers.

During maintenance jobs, affix a notice to the appliance indicating "**MACHINE BEING SERVICED, DO NOT START**".

Climbing on the cleaner is forbidden.

Never touch electric wires, switches, buttons, etc. with wet hands.

Before connecting to the power mains, make sure the power voltage and frequency are those shown on the machine plate.

Make power connections to a mains supply with efficient earth system.

In the event of an extension being used, make sure this is in perfect condition, marked **CE** and that the cross section of the cable is suitable for the vacuum cleaner power input.

When restoring original working conditions, the appointed personnel should make sure that at the end of the operating procedure, proper vacuum cleaner operation safety conditions are restored, especially the safety devices and the protective guards.

Only adult persons should use the vacuum cleaner.

During vacuuming operations, always brake the vacuum cleaner using the special revolving wheel lock.

2.3 Safety plates and symbols

Plates are affixed to the vacuum cleaner showing safety symbols and/or messages.

Attention!

Make sure all the safety messages are legible.

Clean these with a cloth, soap and water. Do not use solvents, diesel fuel or petrol.

Replace the damaged plates with new ones supplied by SIF.

If a plate is affixed to a replaced part, make sure a new plate is affixed to the new part.

Attention!

Read the operator's and maintenance manual carefully before using the cleaner or doing any maintenance jobs.

IMPORTANT

**DO NOT BREATHE IN INFLAMMABLE
AND/OR EXPLOSIVE LIQUIDS OR POWDERS**

Warning!

Risk of crushing upper limbs while fitting and locking the material container on the vacuum cleaner.

Never place hands between the material container and vacuum cleaner while locking.

Do not place hands on sides of container near the guide pins while locking.

Perform the container locking operation by means of the levers located on the side, USING BOTH HANDS!

2.4 Outstanding risks

Careful analysis of risks performed by the manufacturer and stored in the technical file has made it possible to eliminate most of the risks associated with vacuum cleaner operation.

The manufacturer advises carefully following the instructions, procedures and advice contained in this manual as well as applicable safety regulations, including the use of the envisaged protection devices, both those integrated in the cleaner and individual.

Outstanding risks associated with the vacuum cleaner could be:

Electrical maintenance risks caused by the need to work under power.

Pursuant to **Presidential Decree 81/08**, only trained personnel should work on the machine with the power supply connected and this must have double earth insulation.

Risk of improper use in the presence of explosive and flammable substances.

The vacuum cleaner must not be used in environments containing substances in the form of liquids that could vaporise at room temperature and flammable dusts and gas

Risks of operation in humid environments.

Keep to the limits shown in this manual at chap. 1.6 Allowed environmental conditions.

Risk of erroneous interpretation of the safety pictograms.

Having identified the various outstanding risks, the manufacturer has affixed to the cleaner a number of hazard labels in compliance with regulations relating to the graphic symbols to be used. The user must immediately replace any safety plates that become illegible due to wear or damage.

Attention!

Removing the safety plates on the vacuum cleaner is strictly forbidden. The manufacturer declines all liability in relation to vacuum cleaner safety in the event of failure to comply with the above indications.

2.5 Applied directives

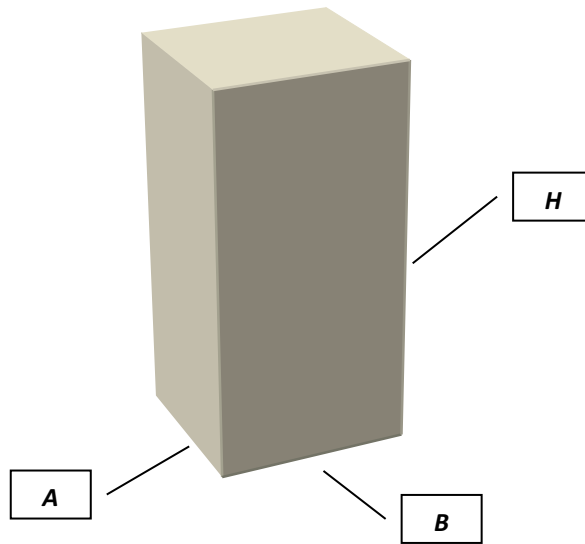
The following directives apply to the vacuum cleaner described in this manual:

2006/42/CE Machine Directive

2004/108/CE Electromagnetic compatibility directive

2006/95/CE Low-voltage directive

3.1 Handling



| | A (cm) | B (cm) | H (cm) | Weight (package included) Kg |
|-------------------------|-------------------|-------------------|-------------------|---|
| AF 201-202 TORCH | 52 | 54 | 100 | 30 |

The machine is supplied in a strong cardboard box secured with straps.

Transport the package using a fork-lift truck of adequate lifting capacity and make sure it is stable and that weight is properly distributed on the forks.

Before starting to move, make sure the transit area is free and that there are no moving objects on the packaging.

During movement, keep the load low for greater stability and safety.

When starting up the vacuum cleaner, move this by means of the wheels supplied.

The appliance must never be moved using fork-lift trucks or other equipment that lifts it off the floor.

If for any reason the need arises to lift and transport the vacuum cleaner, this operation must be performed under the responsibility of the user. The user is therefore invited to secure the load as he best thinks fit to ensure the operation is performed in total safety.

3.2 Installation

Warning!

Before installing the vacuum cleaner, carefully make a sight check to pinpoint any damage suffered during transport.

In the event of any component parts being damaged, do not proceed with installation. Notify the manufacturer and reach an agreement on how to proceed.

The vacuum cleaner already features a suction filter.

Fit the accessory required for the type of vacuuming operation on the opposite end of the hose.

Note: No standard accessories (reducers, hoses, nozzles) are included with the vacuum; accessories must be specified and ordered separately.

Contact your dealer for information relating to the different types of **optional accessories** available for this specific vacuum cleaner model.

Fit the supplied pipe on the pipe union.



Make sure the power supply corresponds to the voltage and frequency indicated on the vacuum cleaner plate.



Weldability Sif
Peters House, The Orbital Centre,
Icknield Way,
Leitchworth Garden City,
Hertfordshire,
SG8 1ET



| | | | |
|-------|----------------------|----------------------|----------------------|
| MOD. | <input type="text"/> | S/N | <input type="text"/> |
| DESC. | <input type="text"/> | YEAR | <input type="text"/> |
| 50 Hz | <input type="text"/> | FILTER | |
| 60 Hz | <input type="text"/> | <input type="text"/> | |



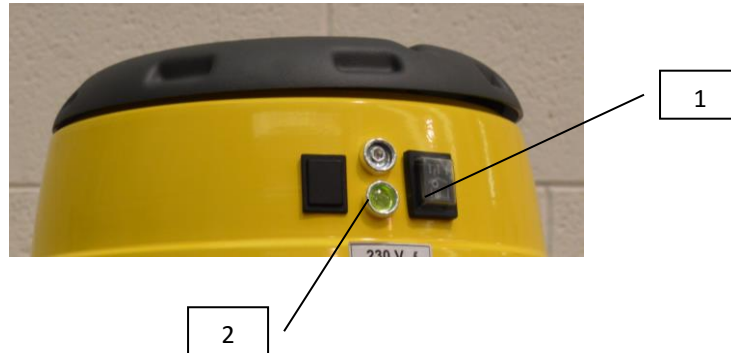
www.weldability-sif.com

Warning!

Do not fit the plug in the power socket with wet hands.

In the event of an extension being used, make sure this is in perfect condition, in compliance with **CE** standards and with cable cross section suitable for the power input of the vacuum cleaner.

4.1 Description of controls



- 1) **Start/ Stop – Automatic/manual** button
- 2) **Power on** light indicator

4.2 Work cycle

Warning!

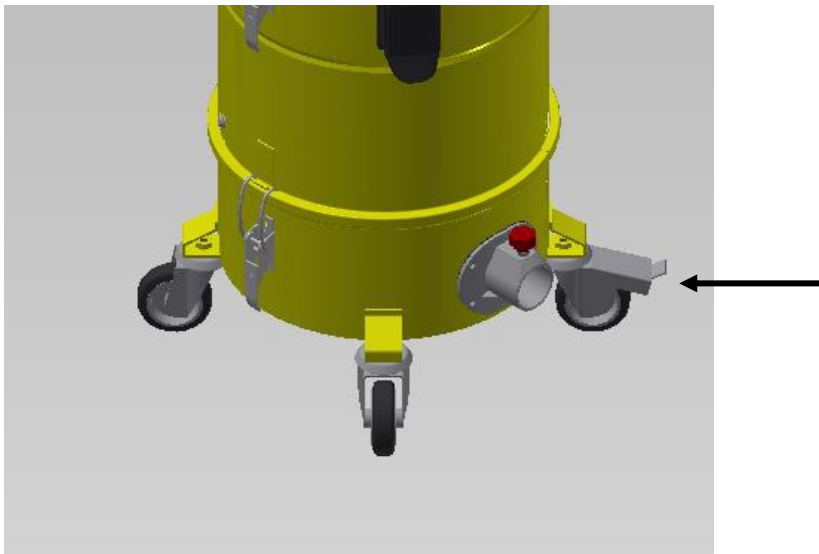
Before fitting the plug, make sure the power voltage corresponds to that on the CE marking plate.

Make sure the power plug is correctly fitted in the power socket.

Make sure the flexible hose is properly fitted and locked in the vacuum pipe union.

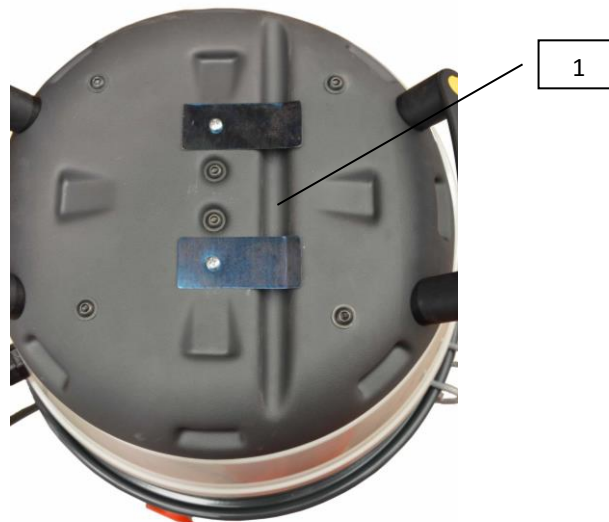
Make sure the power cable and any extension used are integral and in perfect condition.

Block the vacuum cleaner by means of the retainer provided.



Grip one end of the flexible hose complete with selected accessory.

Put the grounding wire of the welding torch in the specific place presents on the cover (1).
Press the automatic/manual start button to select the start mode.



If the operator uses the automatic system the vacuum cleaner starts with the welding torch automatically and it stops 5 seconds after the welding torch.

If the operator wants to use the vacuum cleaner without the automatic system just select the manual mode.

Press the **Start** button and start vacuuming.

To stop the vacuum cleaner, press the **Stop** button.

Warning!

Before switching the vacuum cleaner back on, make sure the motors have come to a complete halt.

After finishing work, disconnect the vacuum cleaner from the power socket.

Warning!

The vacuum can be moved only on flat ground!

If the vacuum is moved on inclined grounds, you can risk to lose the control, because of the weight and to damage persons or things.

Warning!

During vacuuming, avoid rolling up or bending the flexible hose.

4.3 Releasing and removing the removable container

Stop the vacuum motors by pressing the relevant **STOP** buttons.

Warning!
Disconnect the plug from the power socket.

Release the vacuum pipe.

Release the fastener that lock the container and remove it.



Empty the contents of the container into a special waste disposal container in accordance with laws applicable in the country where the vacuum cleaner is used.

Warning!
While performing these operations, it is best to wear a dust protection mask.

4.4 Filter cleaning system DUSTOP

When the suction efficiency has lowered, or after having vacuumed a considerable quantity of material, a filter cleaning cycle is necessary. The filter cleaning system is best operated every time before use and after prolonged operation.

First of all, disconnect all the accessories (flex hose, hose connector, etc.) from the vacuum cleaner.

Put the switch on manual mode. Turn on the vacuum cleaner and then proceed to close the suction inlet with the cap attached to the suction inlet itself, assuring that there is no air flow through the filtering chamber.



Open the flap as indicated in the picture below allowing the air to flow into the filtering chamber thus providing a counter air flow that passes through the filter. Repeat this operation for at least 5 times.



Once the cleaning process has finished, remove the cap from the suction inlet and connect the accessories to continue the vacuum process.
If necessary repeat the filter cleaning process. If this second cleaning process is not sufficient,, replace the filter with a new one.

Warning!
During vacuuming, avoid rolling up or twisting the flexible hose

Warning!
Never use the machine with the filter blocked.

5.1 Informative notes

This section describes the control and special maintenance operations crucial for keeping the vacuum cleaner in perfect working condition.

Any other jobs which might be necessary to eliminate operating faults must be expressly authorised by the manufacturer. In such cases, always notify the identification details of the cleaner.

In the case of major repairs, it is best to contact an authorised dealer, whose skilled personnel, backed by all the technological experience relating to the original factory construction methods, are always available and ready to promptly intervene.

5.2 General safety warnings

Maintenance jobs must always be performed by skilled technicians, trained to carry out their specific jobs. In the case of this machine, these are:

Mechanical maintenance

Electrical maintenance

The Safety Manager has the precise duty of determining the professional capacities and skills of such persons.

Before doing any maintenance job, the safety manager must:

Make sure there are no unauthorised persons in the work area.

Make sure the necessary tools are on hand and that these are in good condition.

Make sure that lighting is adequate and, if necessary, provide 24-V portable lamps.

Make sure the maintenance engineer is equipped with all approved individual protection devices needed for the specific operation (gloves, eyewear, shoes, etc.).

Make sure the maintenance engineer has carefully read the instructions contained in this manual and knows how the vacuum cleaner works.

Before carrying out a maintenance job, the maintenance engineer must:

Disconnect the plug from the power socket.

Work done on motors or other electrical component parts must only be performed by a specifically trained electrician, authorised by the Safety Manager.

Always use tools that are in perfect condition and specifically made for the operation to be done. The use of unsuitable tools or tools not in good condition could cause serious damage.

5.3 Maintenance operations

Attention!

All the described operations must be done with the plug disconnected from the power socket. Before starting any maintenance or cleaning job, always wear adequate protective clothing, eyewear and/or gloves according to the type of job to be done.

For smooth vacuum cleaner operation, a number of controls are best made periodically:

Check to see whether the filter is worn or has become too permeable.

Make sure the sealing gaskets of the motor head base, of the filter-holder ring and of the container are working efficiently.

The electrical parts (plugs, switches, cables, etc.) must not be faulty.

The screws and nuts must always be tight.

Make sure the container is not overfull. This should be emptied when the vacuumed material has reached 3/4 of maximum capacity.

Check the integrity of the flexible vacuum hose and accessories to be used.

If the flexible hose is perforated, the power of the cleaner will be reduced and dust and liquids will leak into the environment.

Warning!

All maintenance and repair jobs must be performed directly by SIF or its authorised dealers.

5.4 Replacing the filters

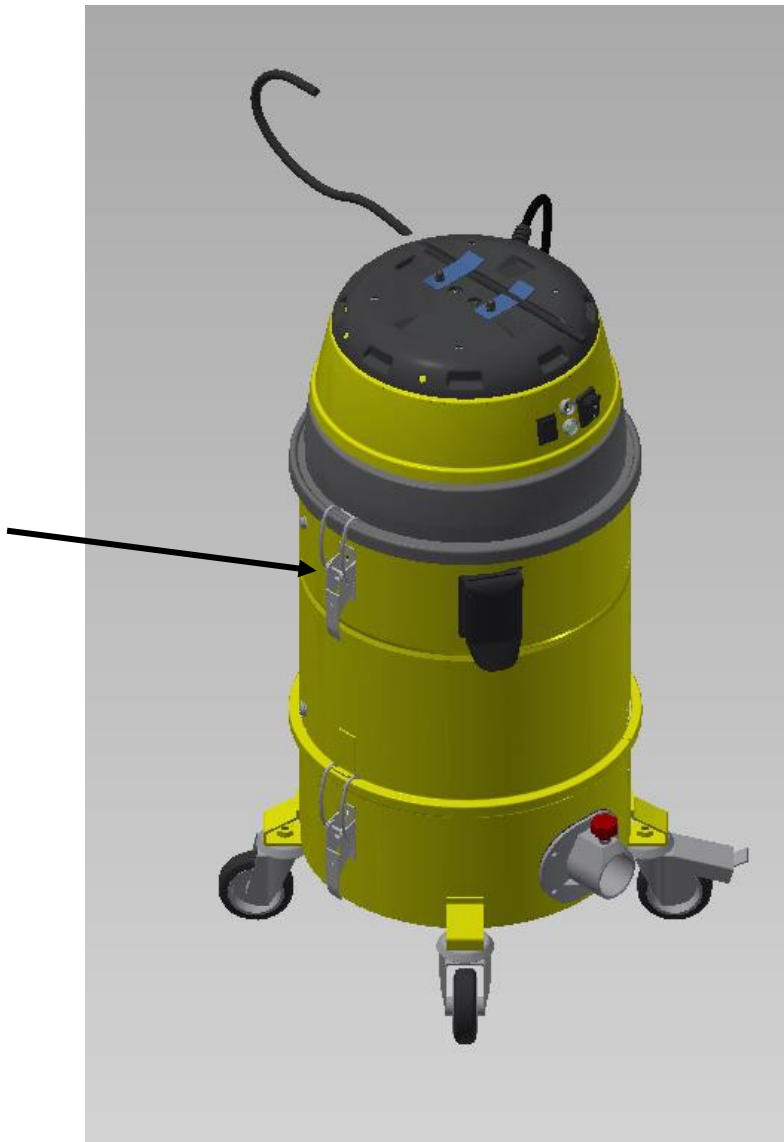
To replace the filters, proceed as follows:

Turn off the vacuum cleaner by pressing the motor **STOP** buttons.

Disconnect the vacuum cleaner plug from the power socket.

Important!
Wear individual protection devices.

Release the retainers that hold the motor head. Lift the motor head and rest this on a flat surface being careful not to damage the power cable.



Unscrew the screws that lock the filter and remove it



Fit the new filter and put everything back in place, locking the cap.

Warning!

All the material trapped by the filter and the filter itself must be disposed of through authorised channels in the country where the vacuum cleaner is used.

5.5 Troubleshooting

| <i>Fault found</i> | <i>Possible fault</i> | <i>Recommended remedy</i> |
|--|-----------------------------------|--|
| <i>The cleaner fails to start</i> | No power | Check the power mains supply Check the integrity of the plug and power cable |
| | Thermal magnetic switch tripped | Reset the thermal magnetic switch |
| <i>Dust is leaking out</i> | Perforated vacuum pipe | Replace the pipe |
| | Filter unsuitable for type of job | Fit a suitable filter for the type of material to be vacuumed |
| <i>The vacuum cleaner does not work as it should</i> | Pipe perforated or blocked | Check the pipe and, if necessary, replace it |
| | Container full | Empty container |
| | Filter blocked | Clean the filter and if necessary change it. |
| | Seals worn | Check the seals and, if necessary, replace it |
| | Air leak | Check for any air leaks out of closing fasteners, tightening screws, container or filter chamber |
| <i>Motor very noisy.</i> | <i>Contact SIF after-sales</i> | |

Warning!
For any other problems, contact the SIF after-sales service.

6.1 Recommended spare parts

| <i>Code</i> | <i>Description</i> |
|------------------|---|
| EXTSVAC03 | SIFVAC CARTRIDGE-FILTER CAT M |
| EXTSVAC04 | SIFVAC REPLACEMENT SEAL |
| EXTSVAC05 | SIFVAC WASHABLE SPARK FILTER |
| EXTSVAC02 | SIFVAC BRANCH CONNECTOR AND AIRFLOW (FOR CONNECTING A SECOND SUCTION ARM) |
| EXTSVAC01 | SIFVAC HD BRUSH KIT |
| EXTSVAC17 | SIFVAC REPLACEMENT STOPPER AND CHAIN |

***Weldability -SIF
Peters House, The Orbital Centre,
Icknield Way,
Letchworth Garden City
SG6 1ET***