

Nederman Dentist Aerosol Solution

One of the best options to control aerosol in dental clinics recommended by Safety and Health associations is extraction at source. Nederman BenchTop FX2 arms are perfect for minimizing and removing aerosols in the air to reduce the risk of cross-infection and cross-contamination.

Nederman FX2 arms are supplied with a mini hood as standard. The mini hood is also a universal interface for connecting the ergonomically designed FX Combi Hood.

Solution Approach

1. Utilize an Nederman FX2 extractor system with a high capture hood and articulating extraction arm to capture high percentage of aerosol near the source.
2. Where possible, exhaust the collected and diluted aerosol safely out of the building.
3. When necessary, filter the aerosol using a Nederman MFS medical grade HEPA filter (H13) before exhausting.
4. If exhaust is not possible, filter the aerosol using a Nederman MFS medical grade HEPA filter (H13) and recirculate within the room.



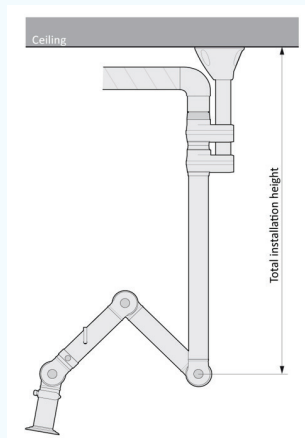
Fan - Nederman N16
A centrifugal fan designed for use with Nederman extraction products. Compact, Easy to use and install.



Filter - Nederman MFS
HEPA (H13) medical grade filter for efficient filtration of aerosols. Simple and quick installation. Economical and easy to change.



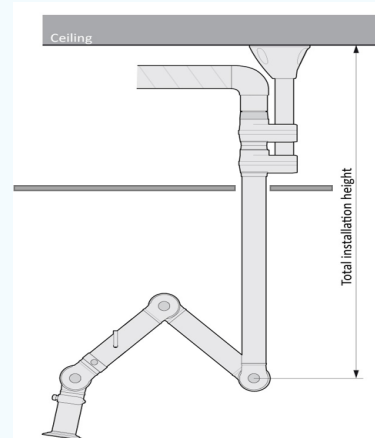
Hood - Nederman FX Combi Hood
Simple and quick installation. Economical and efficient.



Without False Ceiling

For easy installations where no false ceiling is used.

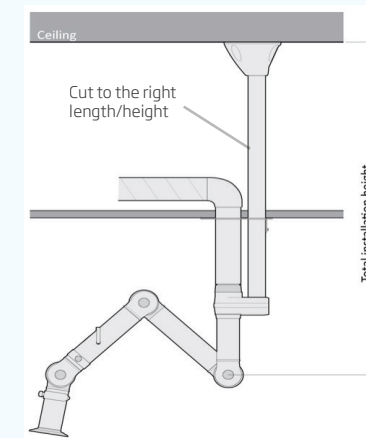
1320 mm total installation height and up to 1450 mm reach from the central axis of the vertical arm.



With False Ceiling, Type 1

For installations where false ceiling is used with min 500 mm between ceiling and false ceiling is needed.

1320 mm total installation height and up to 1450 mm reach from the central axis of the vertical arm.



With False Ceiling, Type 2

For installations where false ceiling is used and higher distance and installation height flexibility needed. Min 440 mm between ceiling and false ceiling is needed.

440 - 1320 mm total installation height and up to 1450 mm reach from the central axis of the vertical arm.

Part	Part No.	1 Arm	2 Arms
FX2-ORIG-D75-L1500-Up-PLUS	70602844	1	2
N16 fan 0.55kw. 110-120/220-240v.	14510121	1	1
MFS filter with cartridge, console and connections	12600444	1 (Optional)	1 (Optional)
N24/N16 support bracket	14510126	1 (If filter not used)	1 (If filter not used)
FX2-Bracket kit-L500-D50/75/100	70377042	1	2
FX-Combi hood-ORIGINAL-D50/75/100	70500144	1 (optional)	2 (optional)
FMS 4-6.3 Fan Manual Starter incl. Motorprotector 4-6.3A	14502437	1	1

Part	Part No.	1 Arm	2 Arms
FX2-ORIG-D75-L1500-Up-PLUS	70602844	1	2
N16 fan 0.55kw. 110-120/220-240v.	14510121	1	1
MFS filter with cartridge, console and connections	12600444	1 (Optional)	1 (Optional)
N24/N16 support bracket	14510126	1 (If filter not used)	1 (If filter not used)
FX2-Ceiling cover plate-PLUS	70377045	1	2
FX2-Bracket kit-L500-D50/75/100	70377042	1	2
FX-Combi hood-ORIGINAL-D50/75/100	70500144	1 (optional)	2 (optional)
FMS 4-6.3 Fan Manual Starter incl. Motorprotector 4-6.3A	14502437	1	1

Part	Part No.	1 Arm	2 Arms
FX2-ORIG-D75-L1500-Up-LOW	70602744	1	2
N16 fan 0.55kw. 110-120/220-240v.	14510121	1	1
MFS filter with cartridge, console and connections	12600444	1 (Optional)	1 (Optional)
N24/N16 support bracket	14510126	1 (If filter not used)	1 (If filter not used)
FX-Ceiling cover plate	70502644	1	2
FX2-AI duct-L1000-D75/100toD100	70377058	1	2
FX2-Duct connector-ORIG/CHEM-D100	70377040	1	2
FX-Cut2fit extension-L1100	70501344	1	2
FX-Classic bracket-D50/75/100	70501244	1	2
FX-Combi hood-ORIGINAL-D50/75/100	70500144	1 (optional)	2 (optional)
FMS 4-6.3 Fan Manual Starter incl. Motorprotector 4-6.3A	14502437	1	1

The Dentist kits are available in other configurations, plz contact your Nederman contact person. Ducting for extraction not included. Use a regulation damper to adjust to required airflow at installation, 170 - 250 m3/h recommended.

