



AN **ESAB** BRAND

Tech Master GPL420 Series

4.5 Purity Single Stage Brass Barstock Piston Line Regulator



The Tech Master GPL420 Series single stage piston line regulators are designed for secondary pressure gas control of non-corrosive or toxic, technical grade gases up to grade 4.5 purity (99.995%), on gas distribution systems.

- **GPL421** Series | Single Stage Piston Line Regulator, FKM Seal
- **GPL422** Series | Single Stage Piston Line Regulator, EPDM Seal

★ FEATURES

- Four port configuration
- Front & rear panel mounting capabilities
- Encapsulated seat design
- Low wetted surface area
- Full range of inlet and outlet fittings
- Side entry

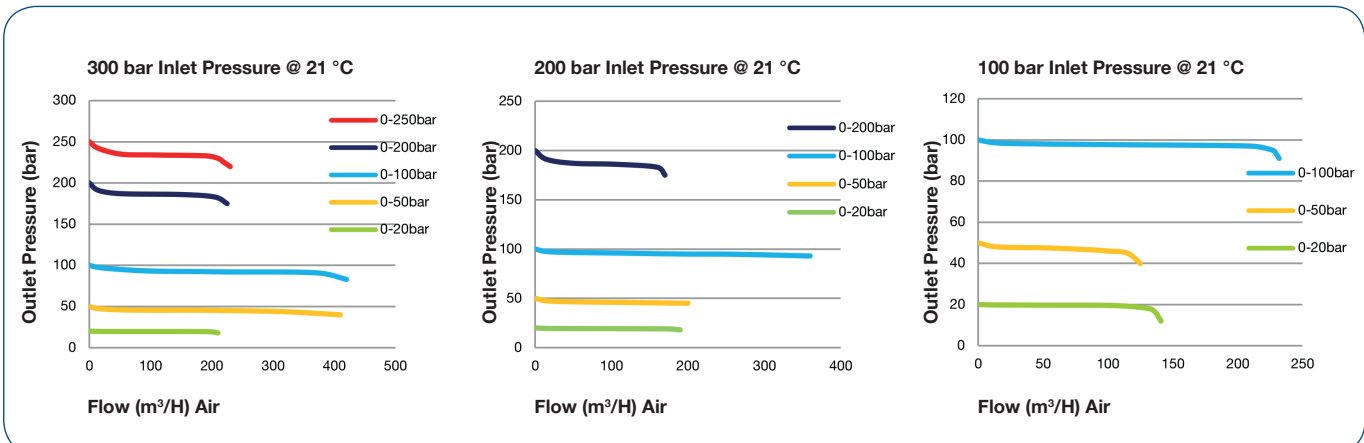
🔧 MATERIAL

- | | |
|-----------------|--------------------------------|
| ■ Body | Brass Barstock |
| ■ Bonnet | Brass Barstock |
| ■ Piston | Brass |
| ■ Seal | FKM / EPDM |
| ■ Seat | Polyamide (Nylon®) |
| ■ Filter | 10 Micron 316L Stainless Steel |

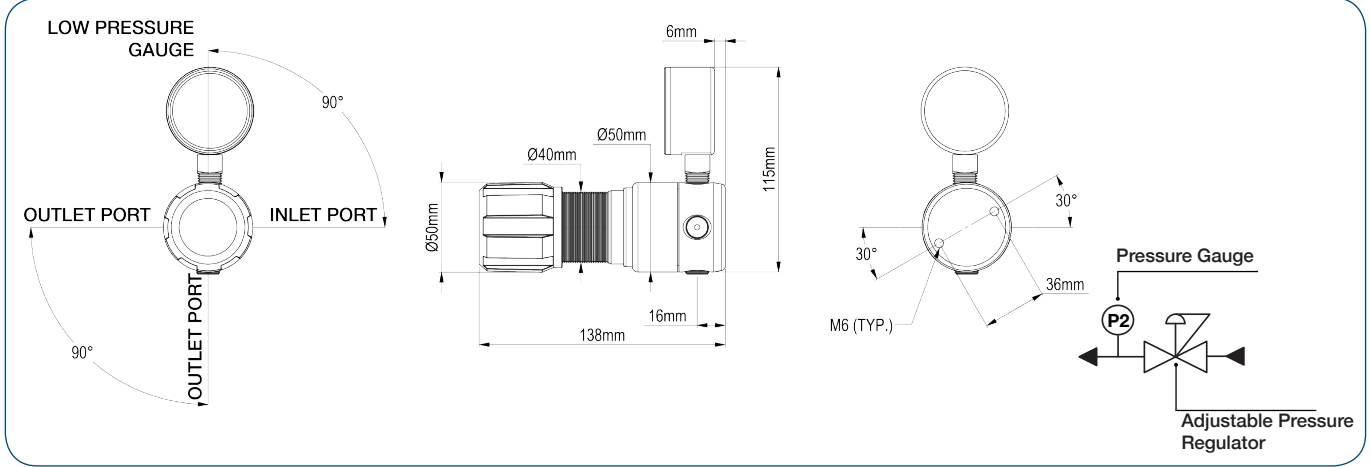
👍 SPECIFICATION

- | | |
|----------------------------------|--------------------------------------------------------------------------------------------------------|
| ■ Maximum Inlet Pressure | 300 bar (4350 PSI) |
| ■ Delivery Pressure Range | 20 bar (300 PSI)
50 bar (725 PSI)
100 bar (1450 PSI)
200 bar (2900 PSI)
250 bar (3625 PSI) |
| ■ Gauges | 50mm (2") Diameter |
| ■ Ports | 1/4" NPT Female |
| ■ Temperature Range | -20° C to +60° C (-4° F to +140° F) |
| ■ Flow Coefficient (Cv) | 0.1 |
| ■ Weight | 1.4 kg (3.1 lb) |

✓ FLOW PERFORMANCE



DRAWINGS



MODEL NO. SELECTOR GUIDE

Example for a Model No. for GPL420 Series

Product Type	Inlet Pressure Bar [PSI]	Outlet Pressure Bar [PSI]	Inlet Pressure Gauge	Outlet Pressure Gauge	Inlet Connection	Outlet Connection	Options
GPL421	04 300 bar [4350]	07 0 to 20 [300]	00 No Gauge Fitted	00 No Gauge Fitted	000 1/4 NPT Female	00 1/4 NPT Female	A No Options Selected
GPL422		10 0 to 50 [725]		01 bar/PSI	001 1/8 Stainless Steel Compression	01 1/8 Stainless Steel Compression	F Bonnet Vent Kit
		11 0 to 100 [1450]		10 Plugged Port	002 1/4 Stainless Steel Compression	02 1/4 Stainless Steel Compression	K Certificate of Conformity (CoC)
		12 0 to 200 [2900]			003 6mm Stainless Steel Compression	03 6mm Stainless Steel Compression	L Panel Mount Locking Nut Kit
		13 0 to 250 [3625]			004 1/4 NPT Male	04 1/4 NPT Male	P Calibration / Pressure Test Certificate
					007 G3/8 BSP R/H Brass Male	05 1/4 SAE Flare Brass Male	X Special Instruction
					008 G3/8 BSP L/H Brass Male	06 G1/2 BSP R/H Brass Male	
						07 G3/8 BSP R/H Brass Male	
						08 G3/8 BSP L/H Brass Male	
						09 Isolation Valve, 1/4 NPT Female, FKM Seal	
						10 Isolation Valve, 1/4 NPT Female, EPDM Seal	
						11 Isolation Valve, 1/8 Stainless Steel Compression, FKM Seal	
						12 Isolation Valve, 1/8 Stainless Steel Compression, EPDM Seal	
						13 Isolation Valve, 1/4 Stainless Steel Compression, FKM Seal	
						14 Isolation Valve, 1/4 Stainless Steel Compression, EPDM Seal	
						15 Isolation Valve, 6mm Stainless Steel Compression, FKM Seal	
						16 Isolation Valve, 6mm Stainless Steel Compression, EPDM Seal	
						17 Isolation Valve, 1/4 NPT Male, FKM Seal	
						18 Isolation Valve, 1/4 NPT Male, EPDM Seal	
						19 Isolation Valve, G3/8 BSP R/H Brass Male, FKM Seal	
						20 Isolation Valve, G3/8 BSP R/H Brass Male, EPDM Seal	
						21 Isolation Valve, G3/8 BSP L/H Brass Male, FKM Seal	
						22 Isolation Valve, G3/8 BSP L/H Brass Male, EPDM Seal	