

SmartFil - Art. No.: 64 650 100

- » Professional extraction unit
- » Safe filter change



Applications

- » Medium levels of smoke and dust
- » Regular use
- » Alternating work places

Benefits

- » Exhaust arm requires less adjustment due to flow-optimised exhaust hood design
- » Increased safety due to filter monitoring
- » Increased safety with safe filter change
- » Very economic due to long lasting high capacity filters

Properties

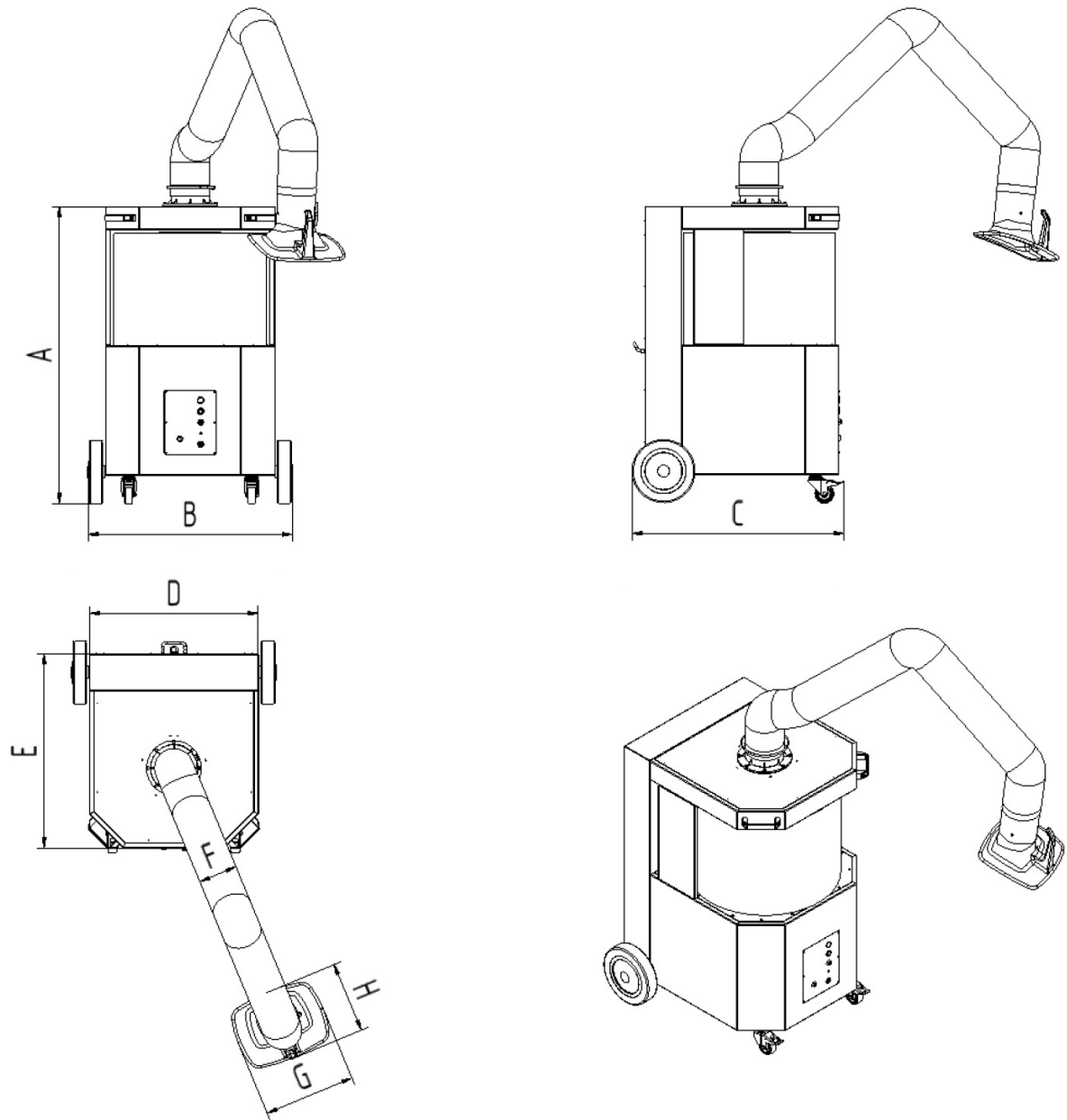
- » 360 degrees rotating exhaust hood with damper
- » 25m² filter surface
- » Compact and solid design
- » Automatic Start/Stop (optional)
- » Lighting in the hood (optional)
- » Exhaust arm 2 m

Accessories

- » Automatic start/stop
- » Workplace lighting incl. on/off switch at the hood

Technical Data

| | |
|-------------------------------|------------------------|
| Art. No. | 64 650 100 |
| Filter | |
| Filter stages | 2 |
| Filter method | Disposable filter |
| Filter surface | 25 m ² |
| Type of filter | Safe Change Filter |
| Filter material | Non-woven polyester |
| Filter efficiency | > 99.5 % |
| Filter class | E12 |
| Additional filters | Pre-filter (aluminium) |
| Basic data | |
| Extraction capacity | 1100 m ³ /h |
| Weight | 131 kg |
| Motor power | 1.5 kW |
| Power supply | 3 x 400 V / 50 Hz |
| Rated current | 3.1 A |
| Control voltage | 24 V, DC |
| Noise level | 70 dB(A) |
| Additional information | |
| Fan type | Radial fan |
| Exhaust arm type | flexible exhaust arm |
| Length of exhaust arm | 2 m |



Technical Data

| Dimensions | |
|------------|---------|
| A | 1169 mm |
| B | 795 mm |
| C | 836 mm |
| D | 667 mm |
| E | 764 mm |
| F | 150 mm |
| G | 360 mm |
| H | 295 mm |