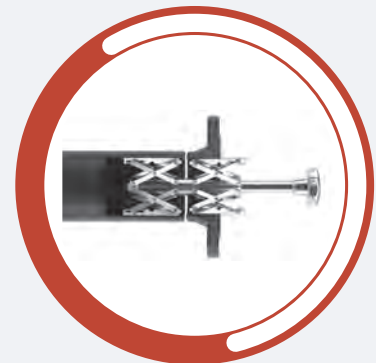
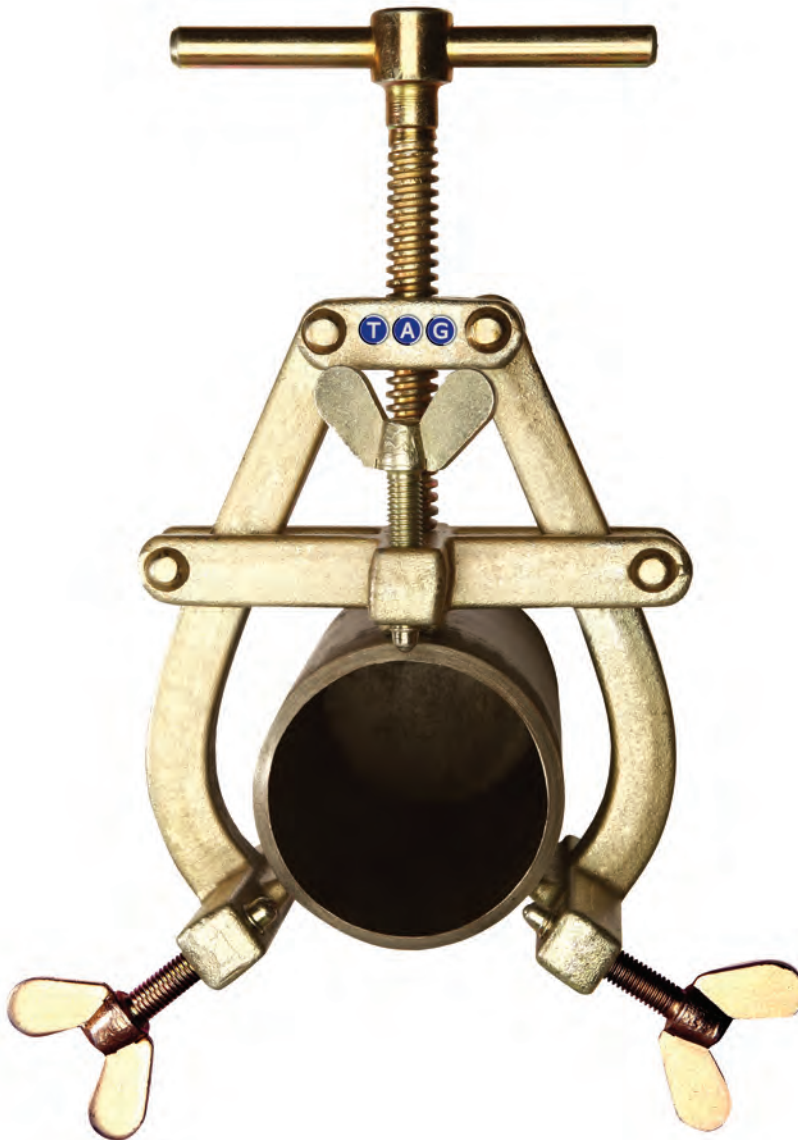


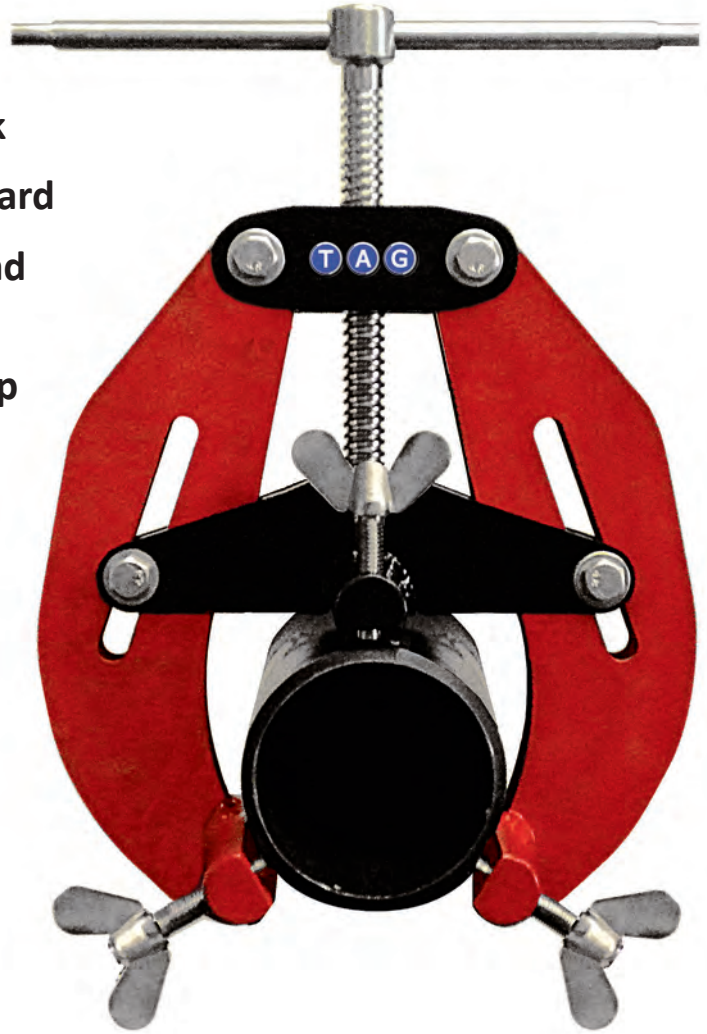


PIPE EQUIPMENT SPECIALISTS LTD

# PIPE ALIGNMENT CLAMPS



- Quick and E-Z to use
- Ultra robust design, ideal for site work
- Stainless steel contact points as standard
- Sliding T-bar Handle for ease of use and secure clamping
- Fine adjustment screws for quick fit-up
- Lightweight for overhead work



## Sizes Available

PART NO.	PIPE DIAMETER RANGE (INCH)	PIPE DIAMETER (MM)	CLAMP WEIGHT (KG / LBS)
EZR2	1 - 2.5"	25 - 74mm	1.5kg / 3.5lbs
EZR6	2 - 6"	50 - 170mm	4.0kg / 9.0lbs
EZR12	5 - 12"	127 - 325mm	6.7kg / 15.0lbs

## Working On Stainless Steel?

The new E-Z Fit Red Pipe Clamp can be used on stainless steel without any additional accessories due to the stainless steel feet and balls in the wing-nuts, preventing contamination of the pipe.

## E-Z Fit Red Typical Applications



**WARNING:** These E-Z Red clamps must not be used as a lifting device, as this may result in damage or injury

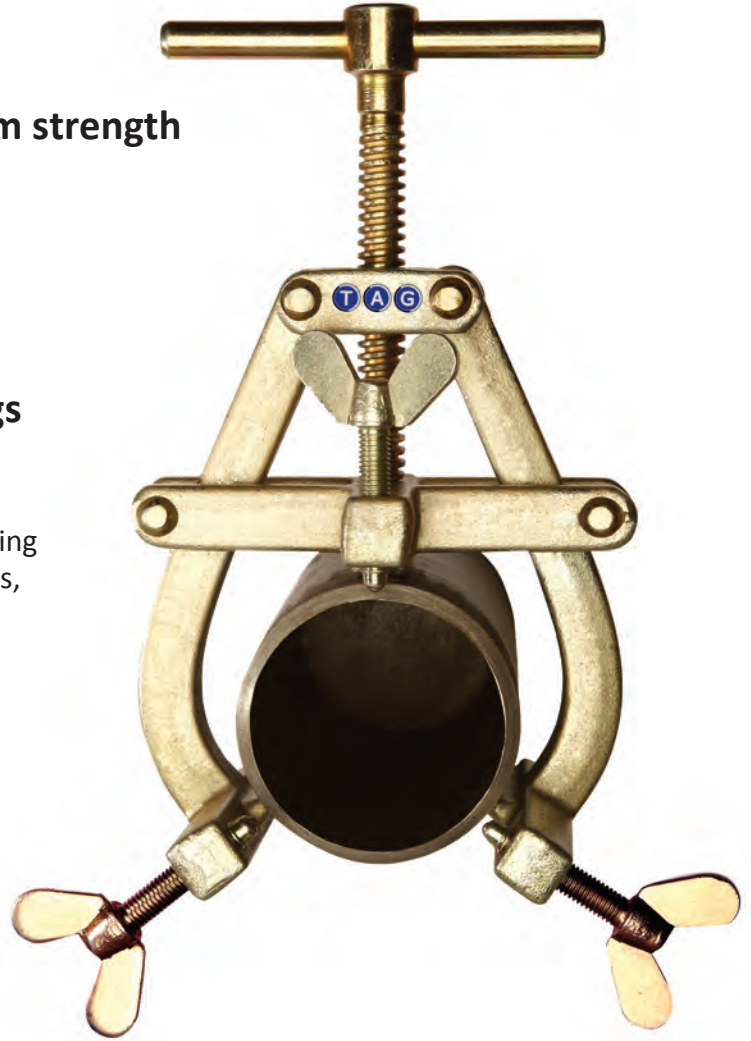
# TAG E-Z FIT GOLD

Pipe welding clamp 1 - 14" o/d

- Quick and E-Z to use
- Forged steel construction for maximum strength
- Combines accuracy with safety
- Instant centering
- Five size range options
- Wing bolts with stainless steel bearings

## Optional Extras

Stainless steel covers can be fitted quickly to the clamping feet. This makes all contact points of the clamp stainless, thus eliminating contamination of the pipe.

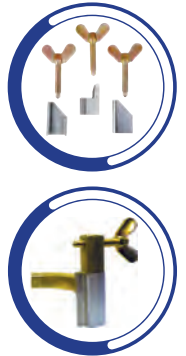


## Sizes Available

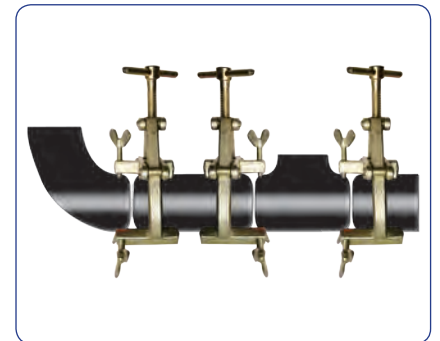
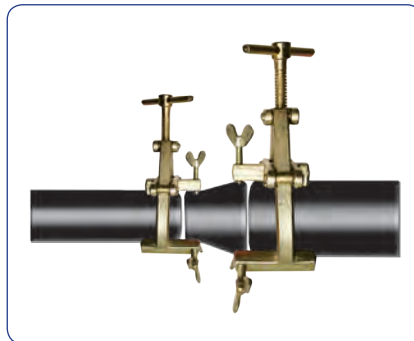
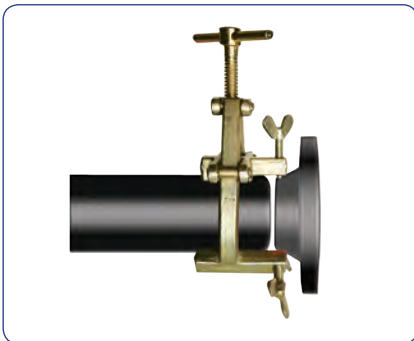
PART NO.	PIPE DIAMETER RANGE (INCH)	PIPE DIAMETER (MM)	CLAMP WEIGHT (KG / LBS)
EZG3	1 - 3"	20 - 90mm	1.4kg / 3lbs
EZG5	2 - 5"	50 - 150mm	3kg / 7lbs
EZG7	3 - 7"	90 - 195mm	3.3kg / 7.5lbs
EZG9	5 - 9"	125 - 245mm	7kg / 15.5lbs
EZG14	9 - 14"	225 - 370mm	9kg / 20lbs

## Stainless Steel Covers & Screws

PART NO.	PIPE CLAMP SIZE (INCH)
EZG3SS	1 - 3"
EZG5SS	2 - 5"
EZG7SS	3 - 7"
EZG9SS	5 - 9"
EZG14SS	9 - 14"



## E-Z Fit Gold Typical Applications



**WARNING:** These E-Z Gold clamps must not be used as a lifting device, as this may result in damage or injury



[www.TAG-PIPE.COM](http://www.TAG-PIPE.COM)

Copyright © 2017 TAG PIPE EQUIPMENT SPECIALISTS LTD. All rights reserved.

Tel: +44 (0)1869 324 144  
E-mail: [sales@tag-pipe.com](mailto:sales@tag-pipe.com)



# E-Z FIT SINGLE CHAIN CLAMPS

Heavy duty alignment and reforming clamps for pipe and vessels

Range: 1 - 72"

Our E-Z Fit Pipe Chain Clamps have been designed to offer the welder/pipe fitter the best of both worlds.

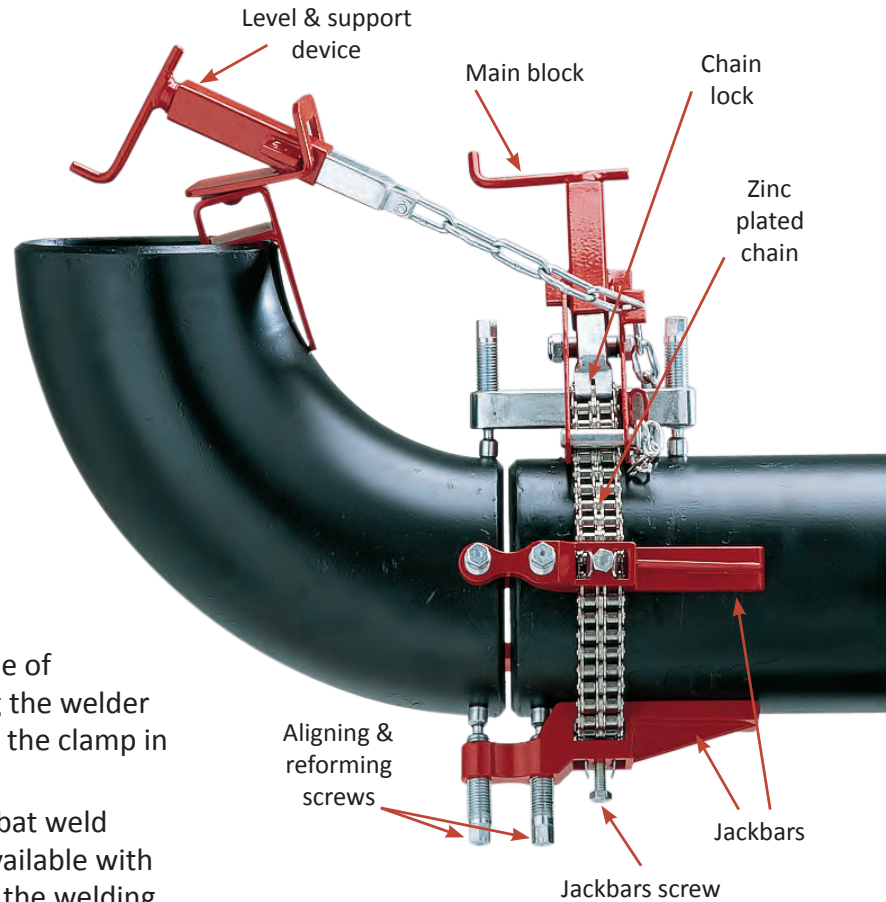
A robust pipe clamp with the strength to align and reform, that is also lightweight and easy to operate.

Traditional methods for aligning heavy wall pipe, such as ratchet cable pullers, lugs and bottle jacks are time consuming and inconsistent in the results they achieve, making them unsuitable for the majority of critical alignment applications.

One clamp can fit up a variety of sizes of pipes, elbows, tees, flanges end caps and most other pipe fittings (using the level and support device supplied).

The heavy duty high rise Jackbars and main block provide the strength to reform the pipe either side of the weld gap to eliminate "Hi-Lo", whilst enabling the welder to weld the entire circumference of the pipe with the clamp in situ.

Our chain and screws are zinc passivated, to combat weld spatter and corrosion. All E-Z Chain Clamps are available with stainless steel contact points and chain to enable the welding of exotic materials with no risk of contamination.



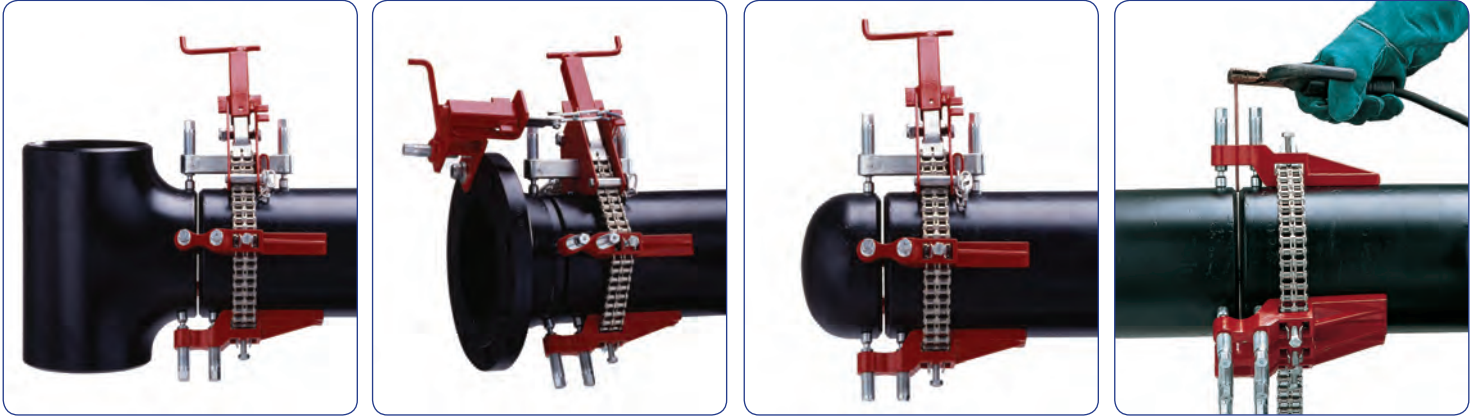
## Features and Advantages:

- **Precision Alignment** - The double jackbars, spaced around the outside diameter of the pipe, provide concise alignment and reforming of the internal or external diameters of both pipes within 0.5mm
- **Extremely Tough** - Reforms pipes on both sides of the weld joint to Schedule 40 pipe and aligns any wall schedule of pipe, elbows, tees and other fittings
- **Adaptable** - The Chain Clamp can be used to align, and reform elbows, tees and other fittings that a cage clamp can not manage. One Chain Clamp covers the range of eight (8) cage clamps
- **High Rise Independent Jackbars** - Double jackscrew 'high rise' jackbars have extra clearance enabling easy access with welding torch/rod. Each Jackscrew has independently pivoting feet to cope with uneven surfaces
- **Safe** - Elbows, tees and other fittings can be held safely and securely in place during alignment with the level and support device



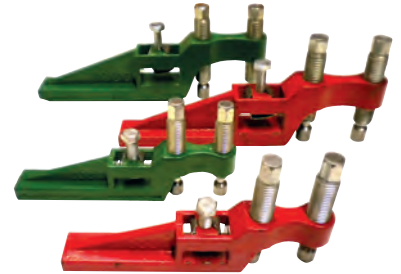
## E-Z Fit Pipe Chain Clamp Versatility

Some examples of fit-ups with the E-Z Fit Pipe Chain Clamp. Each clamp is supplied with all accessories to carry out any fit-up and includes a steel storage box.



### E-Z Fit Pipe Chain Clamps Include:

- Length of chain required for the pipe range
- Double jackscrew jackbars listed for the pipe range
- Main block
- Fine adjustment
- Level and support device
- Jackscrew wrench
- Parts and operating manual
- Metal storage box
- Come fully assembled ready to use



### Sizes Available

PART NO.	PIPE DIAMETER RANGE (INCH / MM)	NO. OF JACKBARS	REFORMS PIPE TO SCHEDULE	ALIGNS PIPE TO SCHEDULE	SHIPPING WEIGHT (KG / LBS)
EZSCC12	1 - 12" / 25 - 320mm	3	40	80	12kg / 27lbs
EZSCC12SS	1 - 12" / 25 - 320mm	3	40	80	12kg / 27lbs
EZSCC20	4 - 20" / 102 - 500mm	7	40	80	33kg / 72lbs
EZSCC20SS	4 - 20" / 102 - 500mm	7	40	80	33kg / 72lbs
EZSCC36	10 - 36" / 254 - 914mm	8	40	80	67kg / 144lbs
EZSCC36SS	10 - 36" / 254 - 914mm	8	40	80	67kg / 144lbs
EZSCC54	10 - 54" / 254 - 1372mm	13	40	80	82kg / 180lbs
EZSCC54SS	10 - 54" / 254 - 1372mm	13	40	80	82kg / 180lbs
EZSCC72	10 - 72" / 254 - 1829mm	16	40	80	90kg / 199lbs
EZSCC72SS	10 - 72" / 254 - 1829mm	16	40	80	90kg / 199lbs

\* Larger sizes available upon request

## **TAG** E-Z FIT MINI CHAIN CLAMP

*Efficient, quick and easy to use*

The new mini chain clamp is ultra light weight, robust and easy to use comes with 4 Jack bars enabling light duty pipe alignment from 0.5 - 8".



PART NO.	PIPE DIAMETER (INCH / MM)	NO. OF JACKBARS	SHIPPING WEIGHT
EZMCC8	0.5 - 8" / 12 - 210mm	4	1.7kg / 3.8lbs



[www.TAG-PIPE.COM](http://www.TAG-PIPE.COM)

Copyright © 2017 TAG PIPE EQUIPMENT SPECIALISTS LTD. All rights reserved.

Tel: +44 (0)1869 324 144  
E-mail: [sales@tag-pipe.com](mailto:sales@tag-pipe.com)



# E-Z FIT DOUBLE CHAIN CLAMPS

*Ultra heavy duty double chain reforming alignment clamp*

**Range: 10 - 240"**

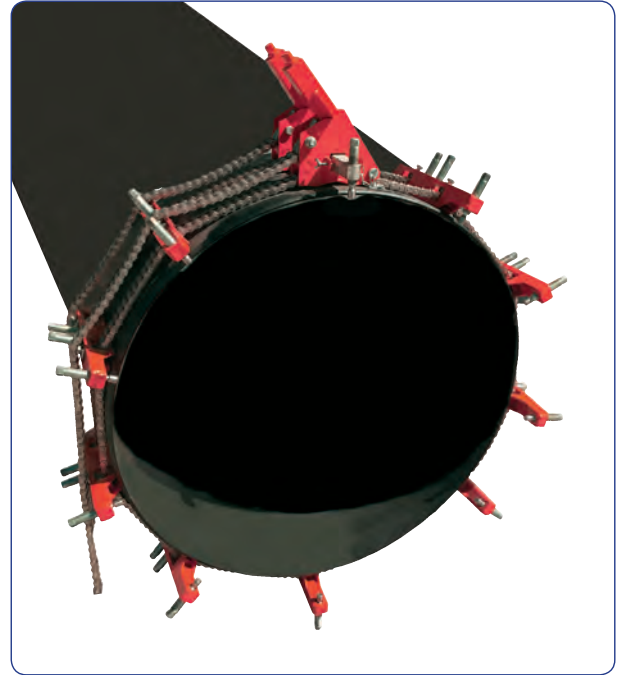
The E-Z Double Chain Clamp is an extra heavy duty clamp designed for alignment and reforming of pipes and vessels up to 20' (6M) with up to schedule 80 wall thickness. The double chain clamp will align pipes with any wall schedule.

Our specialised triple jackscrew heavy duty jackbars and double chain lock devices can deal with the most difficult of reforming jobs with operational ease.

The extra heavy duty jackbars and double main block provide the strength to accomplish reforming jobs on pipe wall thicknesses that other clamps simply cannot. Models 10 - 36" to 10 - 54" come with level and support device and all other models come with cable hoist.

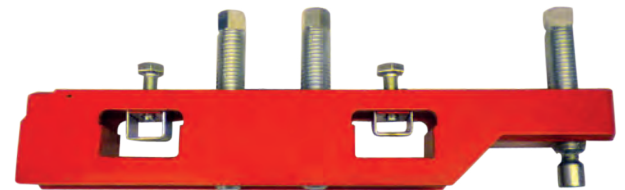
The E-Z Fit Double Chain Clamps are available as stainless steel models with stainless steel contact points and chain to enable the welding of exotic materials with no risk of contamination. All clamps are supplied in their own durable storage cases.

Clamps can also be supplied with an optional torque wrench to apply the correct tension to the chain (150nm). This allows the exact required tension to be applied to the chain.

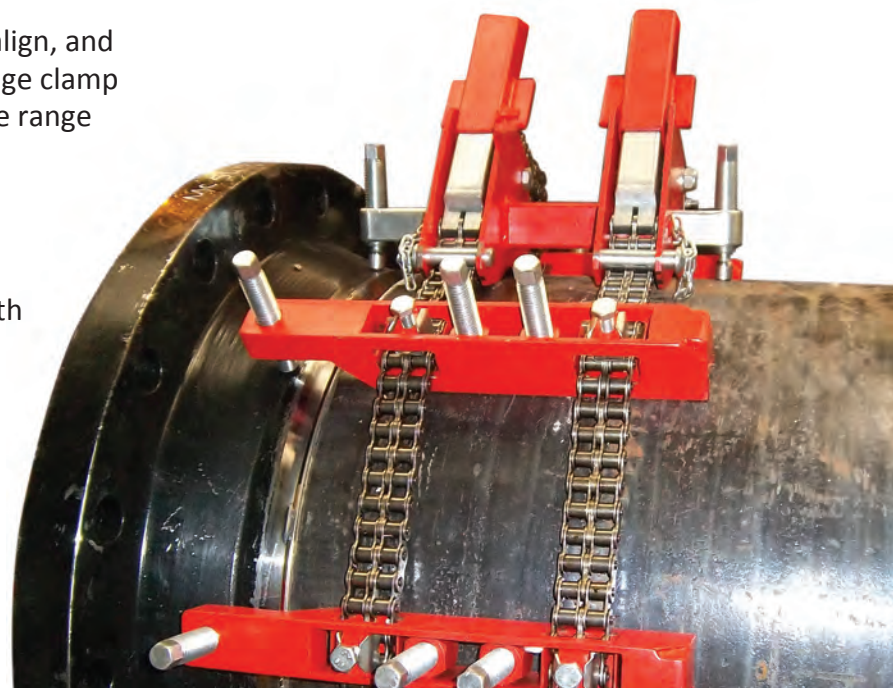


## Features and Advantages:

- **Precision Alignment** - The double jackbars, spaced around the outside diameter of the pipe, provide accurate alignment and reforming of the internal or external diameters of both pipes within 0.5mm
- **Extremely Tough** - Reforms pipes on both sides of the weld joint to schedule 80, aligns all wall schedules, elbows, tees and other fittings
- **Adaptable** - The Chain Clamp can be used to align, and reform elbow, tees and other fittings that a cage clamp cannot cope with. One Chain Clamp covers the range of up to 100 cage clamps
- **Extra Heavy Duty Independent Jackbars** - Enable the operator to form the pipe to the required shape. Each Jackbar has three (3) independently pivoting Jackscrews to cope with uneven surfaces
- **Versatile** - Elbows, tees and other fittings can be aligned with the level and support device



Heavy duty jackbars for arduous aligning and reforming jobs



[www.TAG-PIPE.COM](http://www.TAG-PIPE.COM)

Copyright © 2017 TAG PIPE EQUIPMENT SPECIALISTS LTD. All rights reserved.

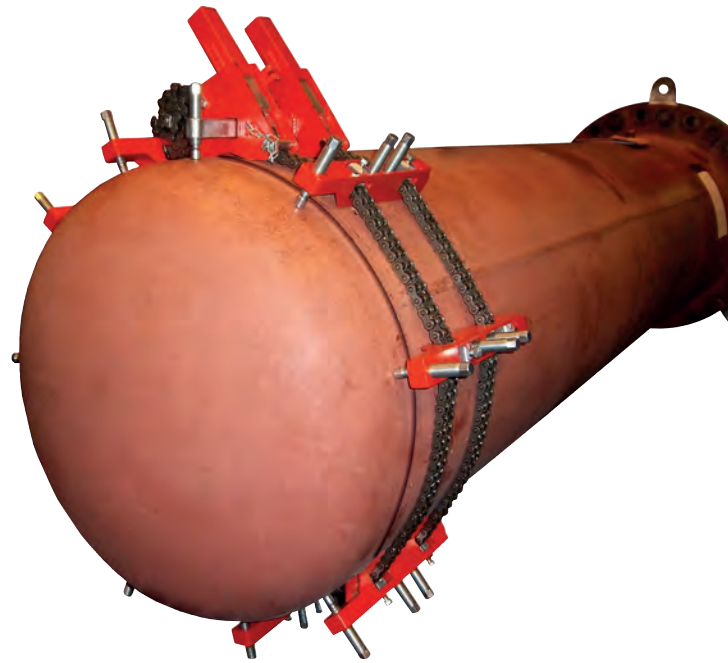
Tel: +44 (0)1869 324 144  
E-mail: [sales@tag-pipe.com](mailto:sales@tag-pipe.com)

## E-Z Fit Double Chain Clamp includes:

- Length of chain required for the pipe range
- Extra heavy duty jackbars listed for the pipe range
- Number of Main blocks listed for the pipe range
- Two (2) fine adjustments
- Level and support device (larger clamps supplied with cable hoist)
- Jackscrew wrench
- Operating instructions

## Optional:

- Torque wrench
- Carbon or stainless steel spacing screws
- Additional jackbars and Jackscrews
- Additional Chain



## Sizes Available

PART NO.	PIPE DIAMETER RANGE (INCH / MM)	NUMBER OF JACKBARS	NUMBER OF MAIN BLOCKS	SHIPPING WEIGHT (KG / LBS)
EZDCC10-36	10 - 36" / 254 - 915mm	9	1	100kg / 220lbs
EZDCC10-36 SS	10 - 36" / 254 - 915mm	9	1	100kg / 220lbs
EZDCC10-48	10 - 48" / 254 - 1220mm	12	1	126kg / 278lbs
EZDCC10-48 SS	10 - 48" / 254 - 1220mm	12	1	126kg / 278lbs
EZDCC10-54	10 - 54" / 254 - 1375mm	14	1	136kg / 300lbs
EZDCC10-54 SS	10 - 54" / 254 - 1375mm	14	1	136kg / 300lbs
EZDCC10-60	10 - 60" / 254 - 1525mm	16	1	149kg / 328lbs
EZDCC10-60 SS	10 - 60" / 254 - 1525mm	16	1	149kg / 328lbs
EZDCC10-72	10 - 72" / 254 - 1830mm	20	1	176kg / 387lbs
EZDCC10-72 SS	10 - 72" / 254 - 1830mm	20	1	176kg / 387lbs
EZDCC10-84	10 - 84" / 254 - 2135mm	24	1	200kg / 442lbs
EZDCC10-84 SS	10 - 84" / 254 - 2135mm	24	2	200kg / 442lbs
EZDCC10-96	10 - 96" / 254 - 2440mm	28	2	226kg / 498lbs
EZDCC10-96 SS	10 - 96" / 254 - 2440mm	28	2	226kg / 498lbs
EZDCC10-108	10 - 108" / 254 - 2745mm	32	2	251kg / 554lbs
EZDCC10-108 SS	10 - 108" / 254 - 2745mm	32	2	251kg / 554lbs
EZDCC10-120	10 - 120" / 254 - 3050mm	36	2	277kg / 610lbs
EZDCC10-120 SS	10 - 120" / 254 - 3050mm	36	2	277kg / 610lbs
EZDCC10-132	10 - 132" / 254 - 3355mm	39	2	299kg / 660lbs
EZDCC10-132 SS	10 - 132" / 254 - 3355mm	39	2	299kg / 660lbs
EZDCC10-144	10 - 144" / 254 - 3715mm	42	2	322kg / 710lbs
EZDCC10-144 SS	10 - 144" / 254 - 3715mm	42	2	322kg / 710lbs
EZDCC10-168	10 - 168" / 254 - 4270mm	48	3	367kg / 810lbs
EZDCC10-168 SS	10 - 168" / 254 - 4270mm	48	3	367kg / 810lbs
EZDCC10-192	10 - 192" / 254 - 4880mm	54	3	410kg / 910lbs
EZDCC10-192 SS	10 - 192" / 254 - 4880mm	54	3	410kg / 910lbs
EZDCC10-216	10 - 216" / 254 - 5490mm	60	3	455kg / 1010lbs
EZDCC10-216 SS	10 - 216" / 254 - 5490mm	60	3	455kg / 1010lbs
EZDCC10-240	10 - 240" / 254 - 6100mm	66	3	500kg / 1110lbs
EZDCC10-240 SS	10 - 240" / 254 - 6100mm	66	3	500kg / 1110lbs

\* Larger sizes available upon request



[www.TAG-PIPE.COM](http://www.TAG-PIPE.COM)

Copyright © 2017 TAG PIPE EQUIPMENT SPECIALISTS LTD. All rights reserved.

Tel: +44 (0)1869 324 144  
E-mail: [sales@tag-pipe.com](mailto:sales@tag-pipe.com)



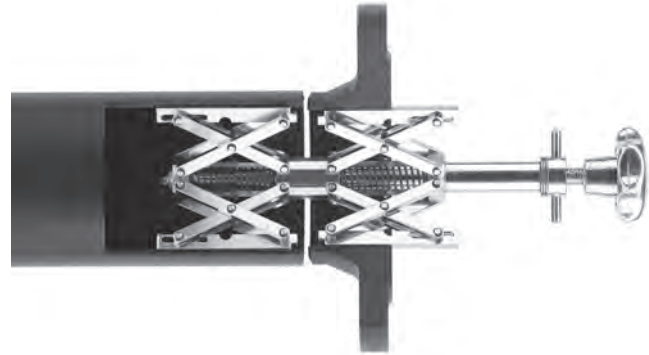
# E-Z FIT INTERNAL SPIDER CLAMPS

Specialist pipe welding alignment clamps for steel or stainless steel

## SPIDER CLAMP - SERIES 400

Popular Model

This model has two independent expanding clamps, allowing independent alignment of two hollow cylindrical components of different diameters. The bottom expanding clamp is inserted and clamped in the pipe by means of the knob. Then the other part (e.g. a flange) is placed over the top expanding clamp and clamped by means of the hand-bar. This model is specially suited for heavy parts. Locating rails are available in stainless steel.



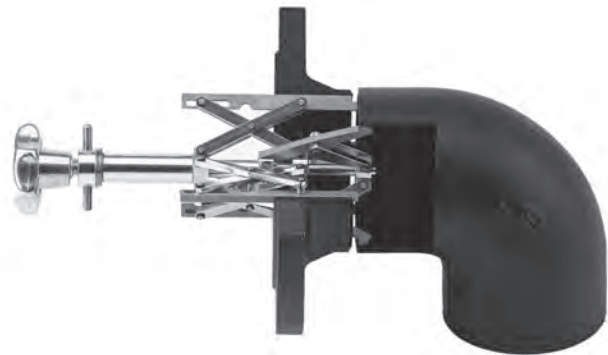
PART NO.	CLAMPING RANGE (MM)	WEIGHT (KG / LBS)
400-1 / 400-1SS*	54 - 140mm	1.25kg / 3lbs
400-2 / 400-2SS*	85 - 220mm	3.6kg / 8lbs
400-3 / 400-3SS*	120 - 350mm	10.5kg / 23lbs
400-4 / 400-4SS*	180 - 520mm	27kg / 60lbs
400-5 / 400-5SS*	400 - 900mm	39kg / 86lbs

\* SS = Stainless Steel

## ELBOW SPIDER CLAMP - SERIES 500

Popular Model

This model with two independent clamps is used for clamping flanges of all kinds and similar parts to elbows and pipe-bends of various diameters. The lower expanding clamp has strong gripping feet which insert into the bend and are tightened by means of the knob. The top expanding clamp is tightened by means of the handbar in the flange.



PART NO.	CLAMPING RANGE(MM)	WEIGHT (KG / LBS)
500-1 / 500-1SS*	54 - 115mm	1kg / 3lbs
500-2 / 500-2SS*	85 - 195mm	3.3kg / 7lbs
500-3 / 500-3SS*	120 - 315mm	9.5kg / 21lbs
500-4 / 500-4SS*	180 - 520mm	23.1kg / 51lbs

\* SS = Stainless Steel





For quick and accurate alignment of pipes of equal or differing diameters on a common centre line. Automatic diameter compensation. There's no need to make additional adjustments. All parts stay easily accessible for welding.



PART NO.	CLAMPING RANGE (MM)	WEIGHT (KG / LBS)
100-1 / 100-1SS*	10 - 70mm	2.1kg / 5lbs
100-2 / 100-2SS*	40 - 140mm	5.9kg / 13lbs
100-3 / 100-3SS*	75 - 330mm	26kg / 57.5lbs

\* SS = Stainless Steel

LINEAR CLAMP - SERIES 200

For quick and accurate alignment and clamping of flanges, nozzles, short pipe sections to pipes and cylindrical tanks. Wedge shaped clamps provide automatic compensation even for parts with greatly differing diameters. Clamps are available in stainless steel.

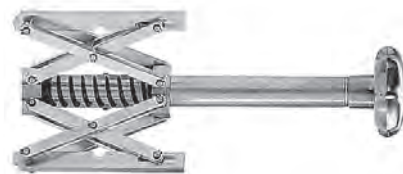


PART NO.	CLAMPING RANGE (MM)	WEIGHT (KG / LBS)
200-1 / 200-1SS*	15 - 19mm	0.20kg / 0.7lbs
200-2 / 200-2SS*	16 - 20mm	0.20kg / 0.7lbs
200-3 / 200-3SS*	19 - 25mm	0.25kg / 0.9lbs
200-4 / 200-4SS*	24 - 32mm	0.50kg / 1lbs
200-5 / 200-5SS*	31 - 40mm	0.50kg / 1lbs
200-6 / 200-6SS*	38 - 52mm	1.25kg / 3lbs

\* SS = Stainless Steel

SPIDER CLAMP - SERIES 302

For clamping pipes of equal diameter or as a clamp with only one expanding clamping part.



PART NO.	CLAMPING RANGE (MM)	WEIGHT (KG / LBS)
302-1 / 302-1SS*	54 - 140mm	1.1kg / 2lbs
302-2 / 302-2SS*	85 - 220mm	2.5kg / 6lbs
302-3 / 302-3SS*	120 - 350mm	6kg / 13lbs
302-4 / 302-4SS*	180 - 520mm	14kg / 31lbs
302-5 / 302-5SS*	400 - 940mm	20kg / 44lbs

\* SS = Stainless Steel

Cage Clamps are the cost effective method to quickly align a single size of pipe. There are three versions available; manual, ratchet and hydraulic. These are available in two styles, either "Tack" or "No Tack". The tack type has straight cross bars and is removed from the pipe before final welding. The more popular no tack model has arched cross bars to permit a 90% circumferential weld without removing the clamp.

## Manual Cage Clamps Range: 4 - 24"

The TAG Manual Cage Clamps are available in sizes ranging from 4 - 24". The Cage clamp is designed to achieve rapid alignment of two pieces of pipe prior to welding.

- Will not back off while weld is being made
- Simple and easy to use



## Ratchet Cage Clamps Range: 20 - 80"

The TAG Ratchet Type External Line-up Clamp is very strong and accurate, but is also lightweight with standard No-tack arched cross bars.

- Precision Acme Threads ensure great strength and ease of operation
- Will not back off while weld is being made
- Mechanism is enclosed to prevent dirt or mud
- Standard 1" ratchet handle fits all sizes



## Hydraulic Cage Clamps Range: 20 - 80"

Up to 80" external No-tack type line-up clamps, lines up pipe for weld to enable the maximum weld to be made without moving the clamp, hand toggle or powerful hydraulic for accurate alignment.

- Hydraulic jack capacity 5 - 20 ton.
- Specials upon request



## Manual Cage Clamps - Sizes Available

PART NO.	PIPE SIZE RANGE (INCH / MM)	SHIPPING WEIGHT (KG / LBS)
MCC4	4" / 102mm	8.6kg / 19lbs
MCC6	6" / 152mm	14.4kg / 32lbs
MCC8	8" / 203mm	14.9kg / 33lbs
MCC10	10" / 254mm	23kg / 51lbs
MCC12	12" / 305mm	23.9kg / 53lbs
MCC14	14" / 356mm	31.5kg / 70lbs
MCC16	16" / 406mm	45.9kg / 102lbs
MCC18	18" / 457mm	49.5kg / 110lbs
MCC20	20" / 508mm	54kg / 120lbs
MCC24	24" / 610mm	56.7kg / 126lbs

*\* Larger and odd sizes available upon request*

## Ratchet Cage Clamps - Sizes Available

PART NO.	PIPE SIZE RANGE (INCH / MM)	SHIPPING WEIGHT (KG / LBS)
RCC20	20" / 508mm	54kg / 120lbs
RCC24	24" / 610mm	57kg / 126lbs
RCC28	28" / 711mm	67kg / 148lbs
RCC30	30" / 762mm	72kg / 160lbs
RCC32	32" / 813mm	77kg / 170lbs
RCC34	34" / 864mm	82kg / 181lbs
RCC36	36" / 914mm	87kg / 192lbs
RCC40	40" / 1016mm	97kg / 214lbs
RCC42	42" / 1067mm	102kg / 225lbs
RCC48	48" / 1219mm	117kg / 258lbs
RCC54	54" / 1372mm	153kg / 337lbs
RCC60	60" / 1524mm	167kg / 368lbs
RCCH	Ratchet Handle	2.7kg / 6lbs

*\* Larger and odd sizes available upon request*

## Hydraulic Cage Clamps - Sizes Available

PART NO.	PIPE SIZE RANGE (INCH / MM)	SHIPPING WEIGHT (KG / LBS)
HCC20	20" / 508mm	54kg / 120lbs
HCC24	24" / 610mm	57kg / 126lbs
HCC28	28" / 711mm	67kg / 148lbs
HCC30	30" / 762mm	72kg / 160lbs
HCC32	32" / 813mm	77kg / 170lbs
HCC34	34" / 864mm	82kg / 181lbs
HCC36	36" / 914mm	87kg / 192lbs
HCC40	40" / 1016mm	97kg / 214lbs
HCC42	42" / 1067mm	102kg / 225lbs
HCC48	48" / 1219mm	117kg / 258lbs
HCC54	54" / 1372mm	153kg / 337lbs
HCC60	60" / 1524mm	167kg / 368lbs
HCCHJ	Hydraulic Jack	9kg / 20lbs

*\* Larger and odd sizes available upon request*





# RIM CLAMPS

*Ultra heavy duty reforming and alignment clamp*

Designed for aligning and reforming pipes with extreme tensile strengths and capable of handling out of round wall thicknesses up to 51mm.

Jackscrews apply pressure on specific high points to precisely reform and align the pipe or shells, ideal for applications that require critical alignment. Thanks to the moveable jackbars that can be rotated for ease of access, welding and grinding can be completed without releasing clamping pressure to prevent cracking of partially completed welds.

Heavy duty oval-shaped frame, latching mechanism, and jackscrews give the Rim Clamp unrivalled re-forming strength and the capability to handle out of round wall thicknesses up to 51mm. All surfaces of the Rim Clamp that contact the pipe are made of stainless steel, eliminating the risk of contamination when working with exotic materials enabling the Rim clamp to be used in nuclear, water and other similar high purity applications. Sizes 14" and larger feature an automatic locking device to minimise the risk of operator injury.



## Features and Advantages:

- **Extremely accurate** - fit-up on large diameter pipe, shells or vessels
- **Heavy duty** - handles out-of-round conditions up to 2" (51mm)
- **Easy alignment and reforming** - pressure can be applied to high points of the pipe or vessel to reform it to the required shape
- **Versatile** - the clamp can be used for steel or stainless steel applications

## Sizes Available

PART NO.	PIPE DIAMETER RANGE (INCH / MM)	REFORMS PIPE TO SCHEDULE	ALIGNS PIPE TO SCHEDULE	CLAMP WEIGHT (KG / LBS)
RC/12-14	12 - 14" / 305 - 356mm	80	120	54kg / 119lbs
RC/14-16	14 - 16" / 356 - 406mm	80	120	86kg / 190lbs
RC/16-18	16 - 18" / 406 - 457mm	80	120	108kg / 238lbs
RC/14-20	14 - 20" / 356 - 508mm	80	120	126kg / 278lbs
RC/18-24	18 - 24" / 457 - 610mm	80	120	158kg / 348lbs
RC/20-26	20 - 26" / 610 - 660mm	80	120	162kg / 357lbs
RC/22-28	22 - 28" / 559 - 711mm	80	120	171kg / 377lbs
RC/26-32	26 - 32" / 660 - 813mm	80	120	180kg / 397lbs
RC/30-36	30 - 36" / 762 - 914mm	80	120	189kg / 417lbs
RC/34-40	34 - 40" / 864 - 1016mm	80	120	203kg / 447lbs
RC/38-44	38 - 44" / 965 - 1118mm	80	120	221kg / 487lbs
RC/42-48	42 - 48" / 1069 - 1219mm	80	120	230kg / 507lbs
RC/44-50	44 - 50" / 1118 - 1270mm	80	120	275kg / 606lbs
RC/46-52	46 - 52" / 1168 - 1321mm	80	120	295kg / 649lbs
RC/54-60	54 - 60" / 1372 - 1524mm	80	120	338kg / 745lbs

\* Smaller and Larger sizes available upon request



[www.TAG-PIPE.COM](http://www.TAG-PIPE.COM)

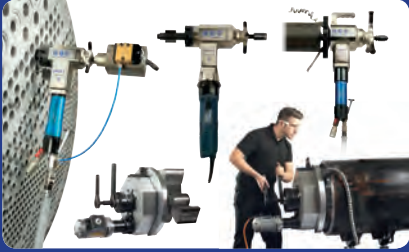
Copyright © 2017 TAG PIPE EQUIPMENT SPECIALISTS LTD. All rights reserved.

Tel: +44 (0)1869 324 144  
E-mail: [sales@tag-pipe.com](mailto:sales@tag-pipe.com)



# PIPE EQUIPMENT SPECIALISTS LTD PRODUCTS INCLUDE:

## PIPE BEVELLING MACHINES



## PIPE CUTTING MACHINES



## PIPE ALIGNMENT CLAMPS



## PIPE STANDS AND ROLLERS



## PIPE PURGING EQUIPMENT



## PLATE BEVELLERS



North America

Europe

Asia

Middle East

India

Africa

South America

Australia



### TAG Head Office

TAG PIPE EQUIPMENT SPECIALISTS LTD  
Unit 15 & 16 Grendon Industrial Estate, Grendon Underwood,  
Aylesbury, Buckinghamshire, HP18 0QX England  
Tel: +44 (0)1869 324 144 E-mail: sales@tag-pipe.com  
[www.TAG-PIPE.com](http://www.TAG-PIPE.com)

### Your Local Distributor

## Overseas Branches



### USA Branch

TAG PIPE EQUIPMENT SPECIALISTS INC  
527 Michigan Street, South Houston  
Houston, Texas 77587, USA  
Tel: +1 713 660 1427  
E-mail: sales-usa@tag-pipe.com



### Europe Branch

TAG PIPE EQUIPMENT SPECIALISTS BVBA  
Mosten 13, 9160 Lokeren  
Belgium  
Tel: +32 486 46 62 93  
E-mail: sales-europe@tag-pipe.com



### Middle East Branch

TAG PIPE EQUIPMENT SPECIALISTS FZE  
Al Ittihad Street, P.O. Box 3763  
Dubai, United Arab Emirates  
Tel: +971 (0)50 680 3107  
E-mail: sales-me@tag-pipe.com



### India Branch

TAG PIPE EQUIPMENT SPECIALISTS PVT  
Plot No. PAP 3, D 3 Block,  
Chinchwad, Pune 411 019  
Tel: +91 20 6573 4333  
E-mail: sales-india@tag-pipe.com



### Asia Branch

TAG PIPE EQUIPMENT SPECIALISTS PTE  
Yinhe Bridge West, Beichen District  
Tianjin, China  
Tel: +86 139 2001 5417  
E-mail: sales-asia@tag-pipe.com

*Our company policy is one of continuous improvement. Products may change or vary from those illustrated.*

*Copyright © 2017 TAG PIPE EQUIPMENT SPECIALISTS LTD, All rights reserved.*