

Mobile Filter Units

# SmartMaster

Art. No.: 64 330



## Technical Data

Filter	
Filter stages	3
Filter method	Storage Filter
Filter surface	13 m <sup>2</sup>
Type of filter	Filter cassette
Filter material	Non-woven fibre
Filter efficiency	> 99,5 %
Filter class	E12
Additional filters	Two pre-filters
Basic data	
Extraction capacity	950 m <sup>3</sup> /h
Weight	71 kg
Motor power	1.1 kW
Power supply	1 x 230 V / 50 Hz
Rated current	6.7 A
Control voltage	230 V, AC
Noise level	72 dB(A)
Additional information	
IFA-Certification	W3-Approved
Fan type	Radial fan
Quantity of extraction arms	1
Exhaust arm type	flexible exhaust arm
Diameter extraction arm	150 mm
Length of exhaust arm	3 m

## Applications

- Suitable for all materials, including high-alloy steel
- Low amounts of smoke/dust
- Occasional use

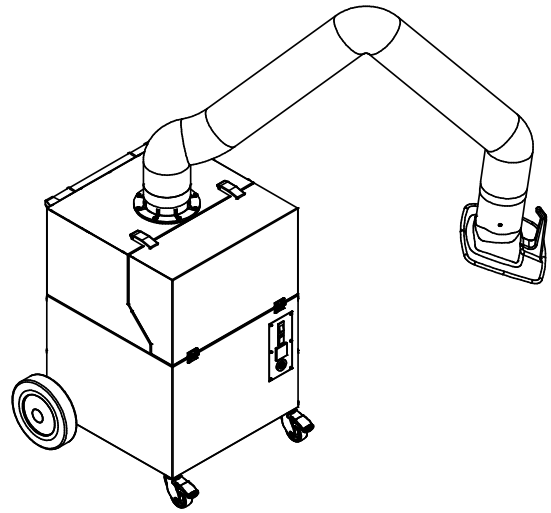
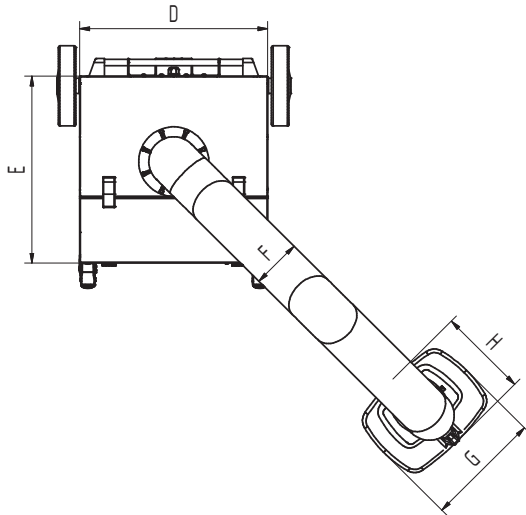
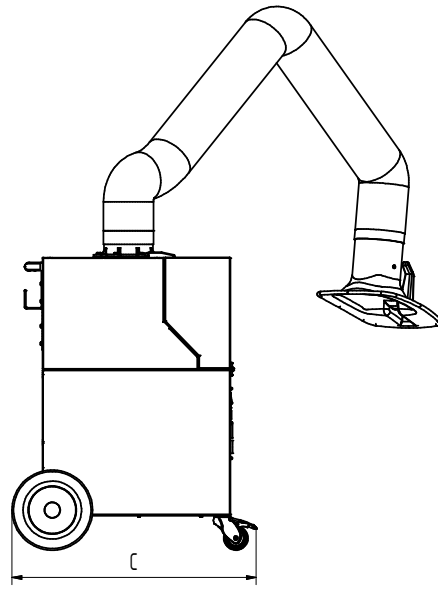
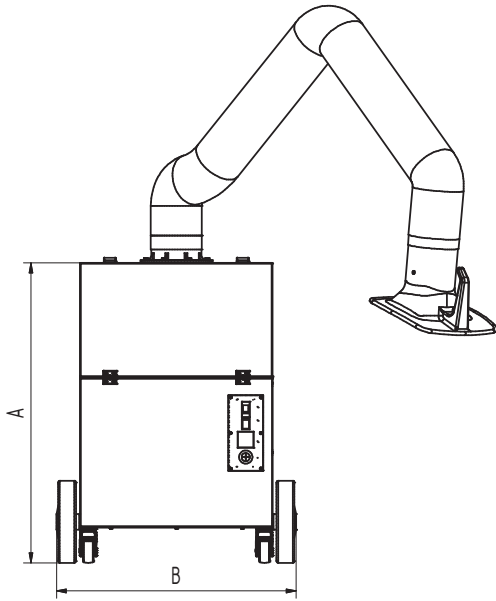
## Benefits

- Exhaust arm requires less adjustment due to flow-optimised exhaust hood design
- Increased safety due to filter monitoring
- Flexible use due to hose connection

## Properties

- W3/IFA certified
- Exhaust arm 3 m
- Handle with cable holder
- Rotating exhaust hood





## Technical Data

### Dimensions

A	909 mm
B	722 mm
C	753 mm
D	580 mm
E	580 mm
F	150 mm
G	360 mm
H	295 mm