



Magswitch Technology, Inc.  
 8774 Yates Dr. Suite 140  
 Westminster, CO 80031  
 Magswitch.com.au  
 303-468-0662

# Magswitch BoomerAngle 150

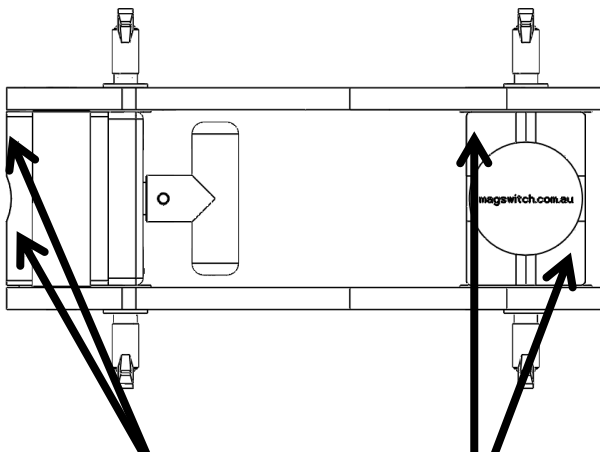
## P/N: 8100091

The Magswitch BoomerAngles offer virtually unlimited angles. With a rotating MagSquare at the end of each axis. Magswitch BoomerAngles offers not only a fixed 90 degree angle on the inside and outside, but are adjustable to any angle in between. Featuring the benefits of Magswitch including incredible power and precision control, Magswitch BoomerAngles are easy to use and can be used with larger and heavier steel.



**WARNING!**  
**Do Not Operate Unless In**  
**Contact With Ferrous Target**

SPECIFICATIONS	
<b>P/N: 8100091 - MAGSWITCH BoomerAngle 150</b>	
Max Breakaway*	150 lbs/68 kg
Full Saturation Thickness	0.25"/ 6 mm
Max Safe Shear*	14 lbs/6 kg
Net Weight	2.9 lbs/1.3 kg
Overall Height	68 mm
Magnetic Pole Footprint	40mm x 40mm

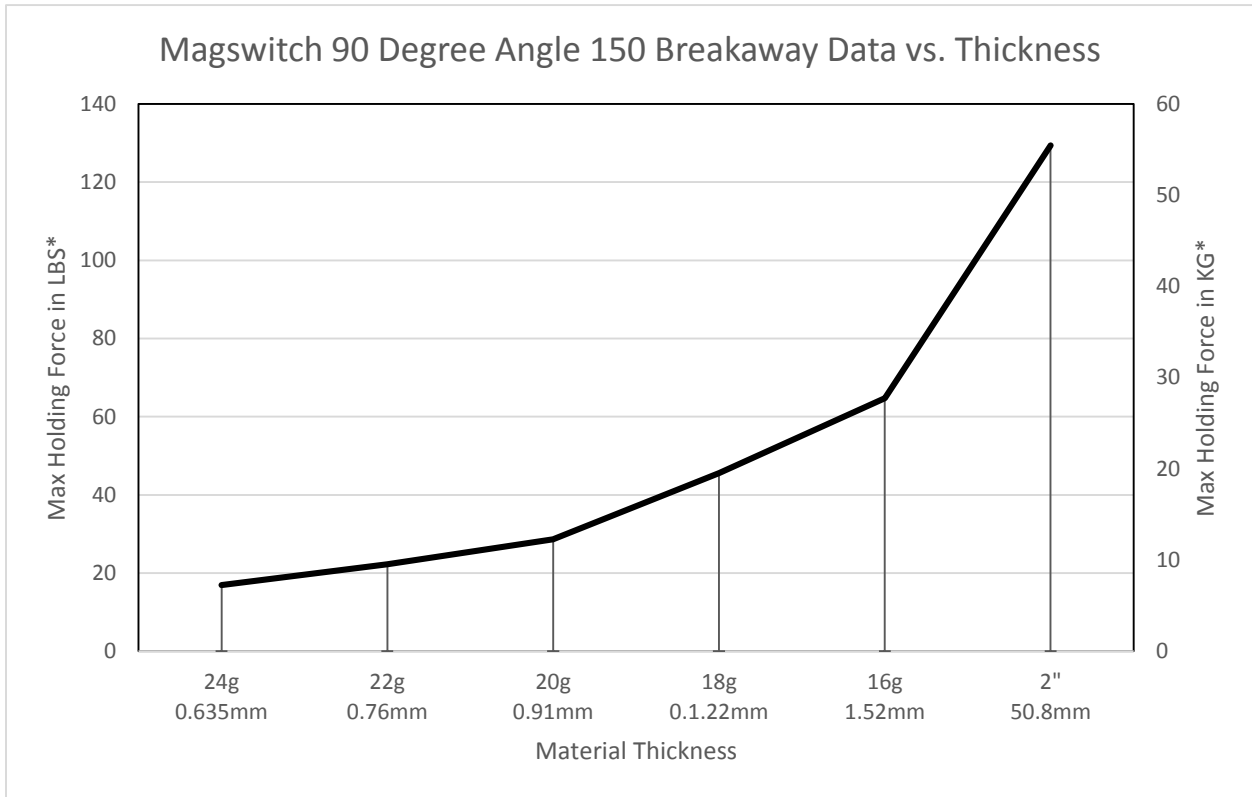


**WORKING SURFACE**

\* Max Breakaway determined in laboratory environment on 2" thick SAE1018 Steel with surface roughness 63 micro inches. Many factors contribute to the actual breakaway force in each application. Always test the magswitch in each application before deployment. Refer to the magswitch information booklet for more information.



Part Number 110692  
 Revision Date: June 26, 2012

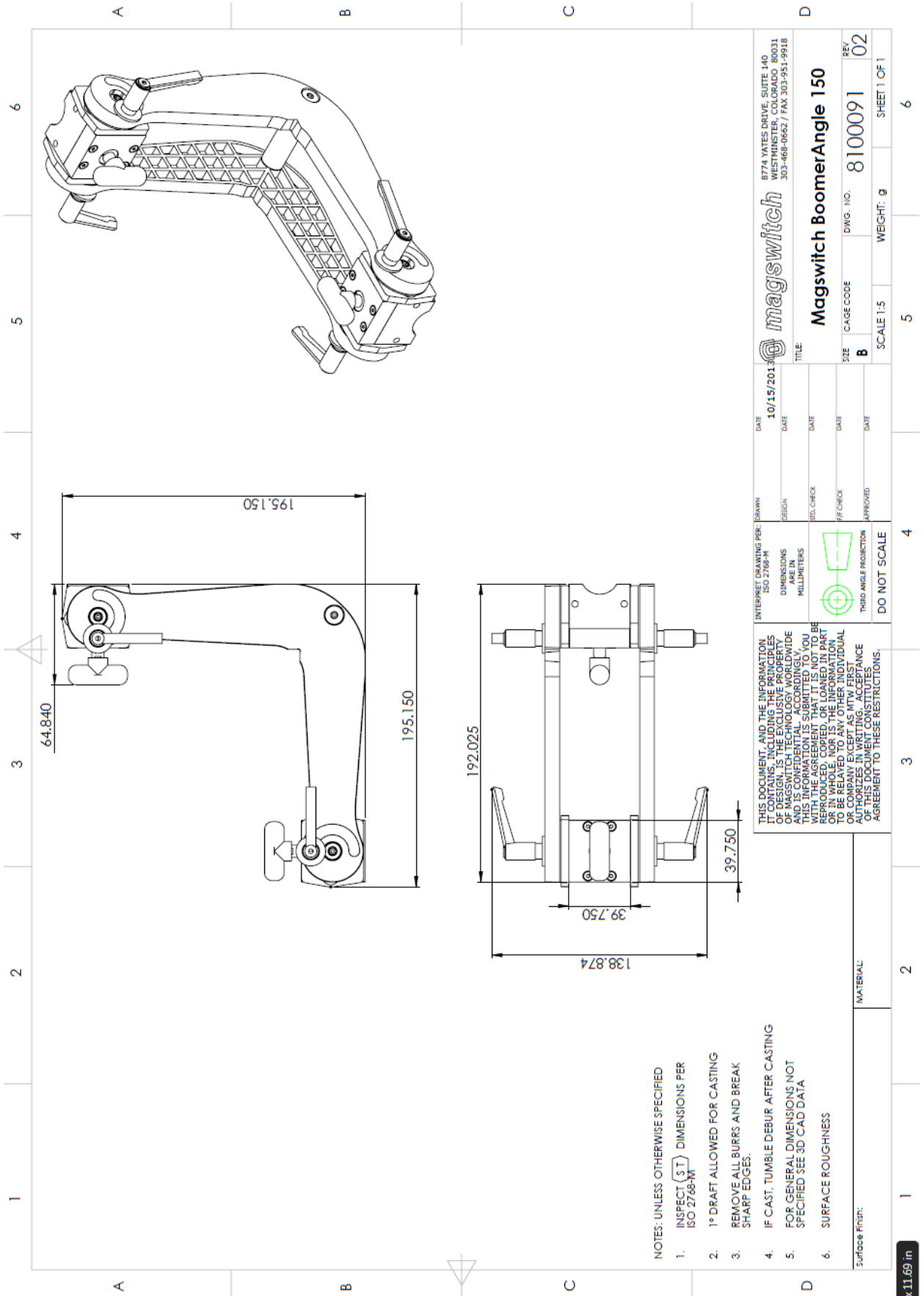


Part Number 110692  
 Revision Date: June 26, 2012

\* Max Breakaway determined in laboratory environment on 2" thick SAE1018 Steel with surface roughness 63 micro inches. Many factors contribute to the actual breakaway force in each application. Always test the magswitch in each application before deployment. Refer to the magswitch information booklet for more information.



Part Number 110692  
 Revision Date: June 26, 2012



NOTES: UNLESS OTHERWISE SPECIFIED

1. INSPECT (ST) DIMENSIONS PER ISO 2768-M
2. 1° DRAFT ALLOWED FOR CASTING
3. REMOVE ALL BURRS AND BREAK SHARP EDGES.
4. IF CAST, TUMBLE DEBUR AFTER CASTING
5. FOR GENERAL DIMENSIONS NOT SPECIFIED SEE 3D CAD DATA
6. SURFACE ROUGHNESS

Surface Finish:

MATERIAL:

THIS DOCUMENT, AND THE INFORMATION IT CONTAINS, INCLUDING THE PRINCIPLES OF MAGSWITCH TECHNOLOGY, IS CONFIDENTIAL AND IS CONFIDENTIAL. ACCORDINGLY, THIS INFORMATION IS SUBMITTED TO YOU ON A NON-REPRODUCTION BASIS. IT IS NOT TO BE REPRODUCED, COPIED, OR LOANED IN PART OR IN WHOLE, NOR IS THE INFORMATION TO BE RELATED TO ANY OTHER INDIVIDUAL OR ENTITY WITHOUT THE WRITTEN ACCEPTANCE OF THIS DOCUMENT CONSTITUTES AN AGREEMENT TO THESE RESTRICTIONS.

INTERPRET DRAWING PER: ISO 2768-M

DIMENSIONS IN MILLIMETERS

THIRD ANGLE PROJECTION

DO NOT SCALE

DATE

10/15/2013

DESIGN

CHK

APPROVED

DATE

DATE

DATE

DATE

magswitch

**Magswitch BoomerAngle 150**

SIZE: CAGE CODE

B

DWG. NO. 8100091

REV. 02

SCALE 1:5

WEIGHT: g

SHEET 1 OF 1

x11.69 in