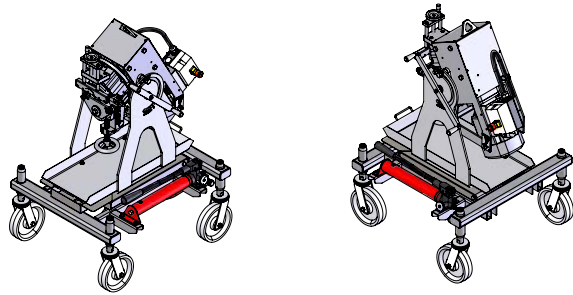


KBM® REVERSIBLE UNDERCARRIAGE



Bevel both top and bottom of the plate with one reversible beveling machine. Lockable pivot system allows the beveller to work on the top or bottom side of the plate, reducing material handling providing increased productivity and cost savings in applications which require two sided beveling.

Accessories available:

- KBM®R: Reversible Undercarriage Conversion Kit
- Hydraulic Undercarriage
- 3 Cutter types available for different material densities
- Angle bevel pins for standard bevel angles (custom angles available)
- Narrow clamp roller assembly (for narrow material)
- Slide base kit (for thick material)
- Adjustable plate support for improved feeding
- Air jet assembly (Eliminates chip congestion around cutter)
- Toolbox
- Chip collection tray

KBM-18SPECIFICATIONS

Maximum Bevel Width:	0.71" (18.00 mm) at standard 30° bevel angle on material with a tensile strength of 64,000 lb/in2 (45 Kg/mm2)
Maximum Bevel Depth:	0.61" (15.6 mm) at standard 30° bevel angle on material with a tensile strength of 64,000 lb/in2 (45 Kg/mm2)
Min. Plate Thickness:	1/4" (6.0mm) Thinner material can be bevelled, consult the factory for details
Max. Plate Thickness:	1.45" (37mm)
Bevel Speed:	156" (400 cm) per minute*
Motor:	2HP, 3 Phase, available for 230, 460 and 575V~ at 60Hz and also 380 and 400/415V~ at 50Hz supply
Weight:	340 lbs. (154Kg.) including undercarriage assembly

* Top speed can vary depending on bevel depth, voltage and frequency fluctuation

KBM-28SPECIFICATIONS

Maximum Bevel Width:	1.10" (28.00 mm) at standard 30° bevel angle on material with a tensile strength of 64,000 lb/in2 (45 Kg/mm2)
Maximum Bevel Depth:	0.95" (24.2 mm) at standard 30° bevel angle on material with a tensile strength of 64,000 lb/in2 (45 Kg/mm2)
Min. Plate Thickness:	5/16" (8.0 mm)
Max. Plate Thickness:	1.96" (50mm) Thicker material can be accommodated with optional slide base kit
Bevel Speed:	78.7" (200 cm) per minute*
Motor:	3HP, 3 phase, available for 230, 460 and 575V~ at 60Hz and also 380 and 400/415V~ at 50Hz supply
Weight:	979 lbs. (444Kg.) including undercarriage assembly

* Top speed can vary depending on bevel depth, voltage and frequency fluctuation



WELDING AND CUTTING AUTOMATION
PRODUCTIVITY - DURABILITY - SERVICE

KBM® PLATE BEVELLER

KAT, KBM, MOGGY, KATBAK & SAM are registered trademarks of Gullco Enterprises Limited

SPECIFICATIONS ARE SUBJECT TO CHANGE WITHOUT NOTICE

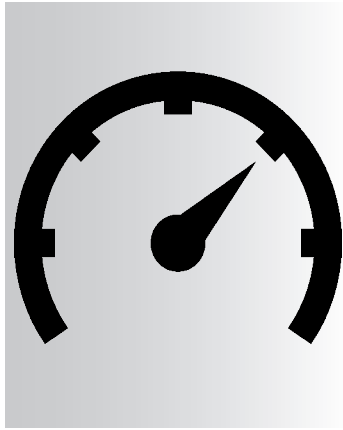
Distributed by:

GULLCO
CANADA - GULLCO INTERNATIONAL LIMITED Phone: 1-905-953-4140 Fax: 1-905-953-4138 e-mail: sales@gullco.com
U.S.A - GULLCO INTERNATIONAL INC. Phone: 1-440-439-8333 Fax: 1-234 808-4146 e-mail: ussales@gullco.com
EUROPE - GULLCO INTERNATIONAL (U.K.) LIMITED Phone: +44 1257-253579 Fax: +44 1257-254629 e-mail: uksales@gullco.com
AUSTRALIA - GULLCO INTERNATIONAL PTY LIMITED Phone: 61 (0)7 3348 5515 Fax: 61 (0)7 3348 5510 e-mail: ausales@gullco.com
INDIA - GULLCO INTERNATIONAL INDIA PVT LIMITED Phone: +91-20-2551-1433 Fax: +91-20-2551-1433 e-mail: indsales@gullco.com
CHINA - GULLCO INTERNATIONAL SHANGHAI LIMITED Phone: +8621-50460341 Fax: +8621-50463554 e-mail: c.zhang@gullco.com
SINGAPORE - GULLCO INTERNATIONAL LIMITED Phone: +65-9385-4468 e-mail: benny.lim@gullco.com
LATIN AMERICA - GULLCO INTERNATIONAL LIMITED Phone: 55-11-99485-1336 e-mail: rogerio.macedo@gullco.com
GERMANY - ms gmbh Melchior Schweißtechnik Phone: +49(0)173 5437722 Fax: +49(0)208 999 38-38 e-mail: christian.mertens@ms-gmbh.com

GULLCO.COM

KBMF2204

Detailed product literature available for each product shown in this brochure



**HIGH SPEED
UP TO
4m PER MIN***



QUIET OPERATION



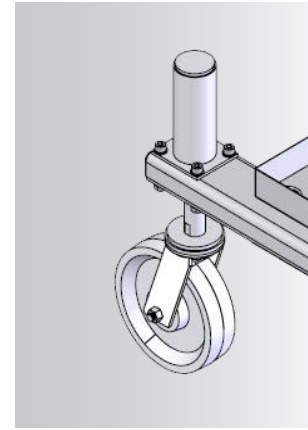
**NO HEAT
AFFECTED ZONE**

Zero heat transfer into material, eliminating distortion.



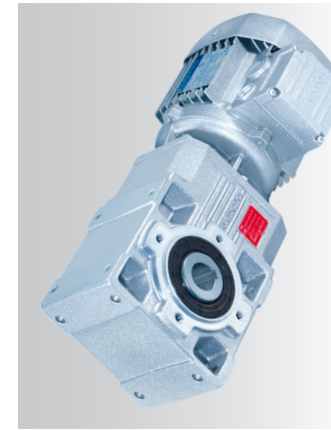
**NO VIBRATION
OPERATION**

Removes operator fatigue and improves workplace safety



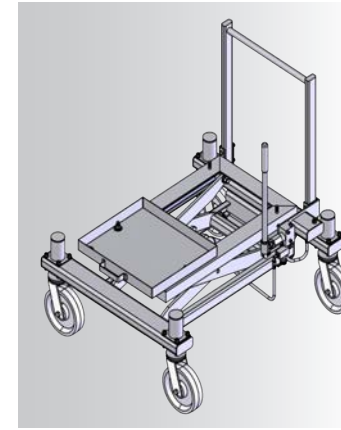
**CASTER SPRING LOADED
WHEEL ASSEMBLIES**

The spring loaded caster wheel assemblies allow for smooth positioning and beveller operation on uneven surfaces



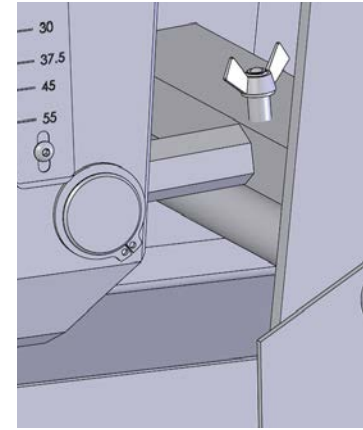
**EXCEPTIONAL
MOTOR GEARBOX**

Class leading, high quality heavy duty gear-motor



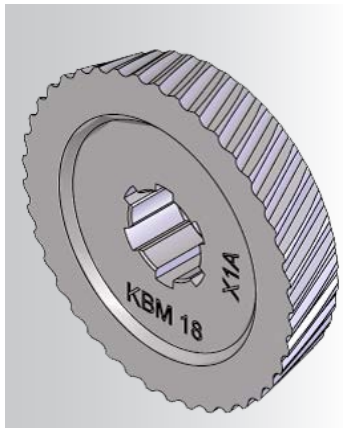
**HYDRAULIC
UNDERCARRIAGE**

Setting and adjusting the height of the beveller is quick and uniform, cutting down on material handling cost by being able to bring the beveller to the workpiece



**VARIETY OF BEVEL
ANGLES**

Angle bevel pins for 30°, 22 1/2°, 37 1/2°, 45° and 55°. Other bevel angles available upon request.



DURABLE CUTTER

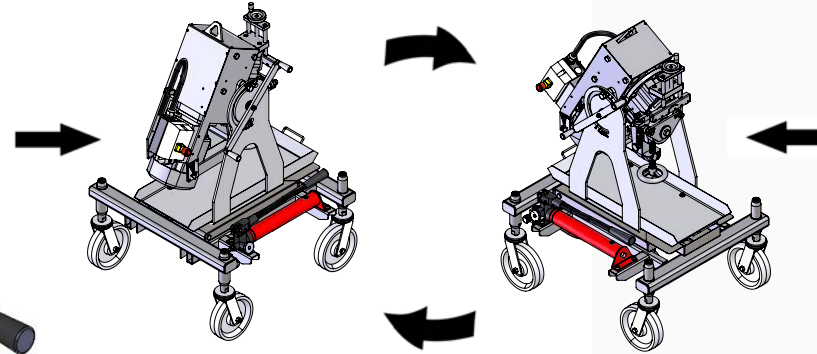
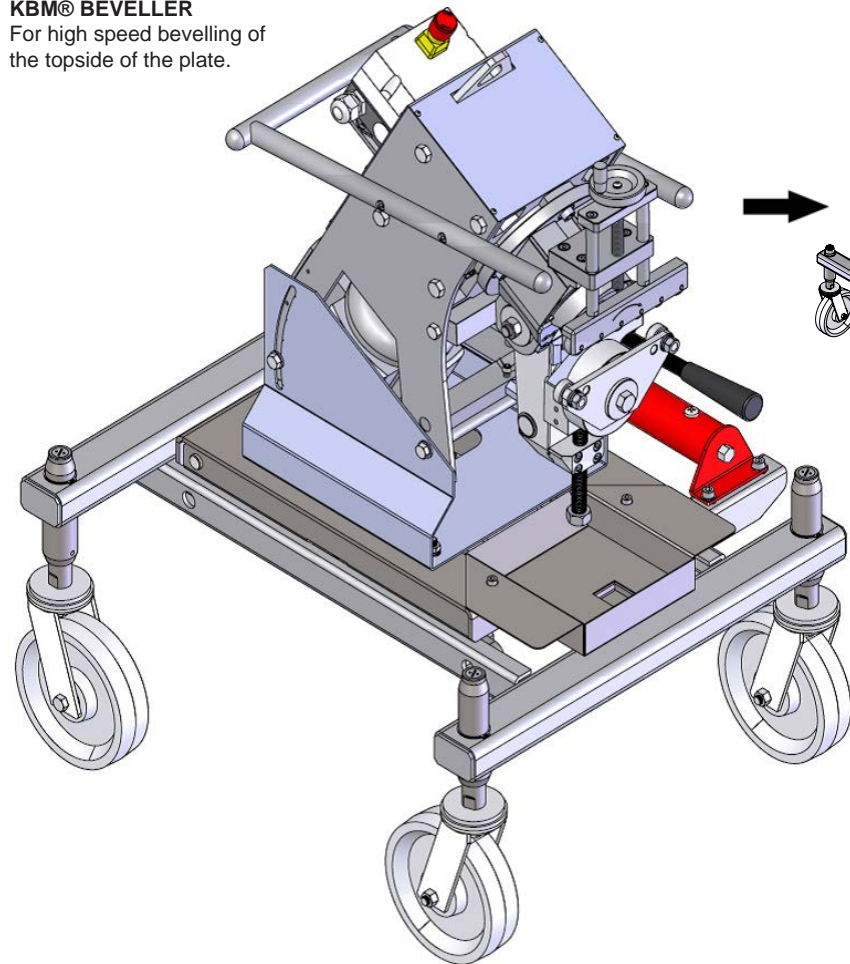
Superior cutter properties due to extensive research and engineering proven over years of industry use.



**CONSISTENT
RELIABLE BEVEL**

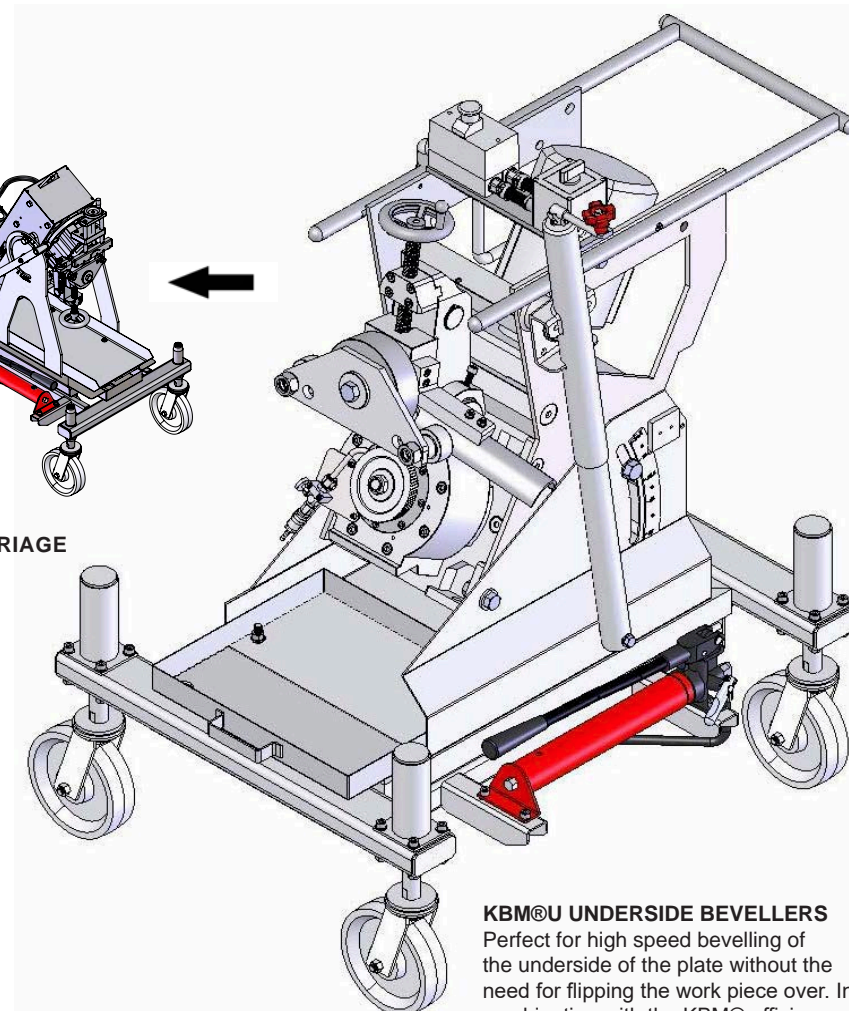
Constant bevel angle and root face are maintained throughout the bevel

KBM® BEVELLER
For high speed bevelling of the topside of the plate.



**KBM-R REVERSIBLE UNDERCARRIAGE
& CONVERSION KIT**

Convert existing bevellers into a reversible beveller capable of bevelling the top and bottom of the plate.



KBM®U UNDERSIDE BEVELLERS
Perfect for high speed bevelling of the underside of the plate without the need for flipping the work piece over. In combination with the KBM® efficiency is greatly increased when bevelling both the top and bottom of the plate.

ADDITIONAL BEVELLER FEATURES

The Gullco KBM® is used throughout the world to automate the plate bevelling process. The KBM® is durable with many features which include:

- Up to 4m per minute bevel speed
- Bevels Mild Steel, Stainless Steel & Aluminium
- Most robust motor gearbox in the industry
- Energy Efficient Operation
- Self-aligning, spring-loaded caster wheel assemblies
- Hydraulic undercarriage allows beveller to meet all standard bench heights quickly and easily
- Hoisting hook for portability and transport
- Produces clean bevels which are immediately ready to weld